

EXPLANATION OF ABBREVIATIONS IN CATALOGUE

VERDUIDELIKING VAN AFKORTINGS IN KATALOGUS

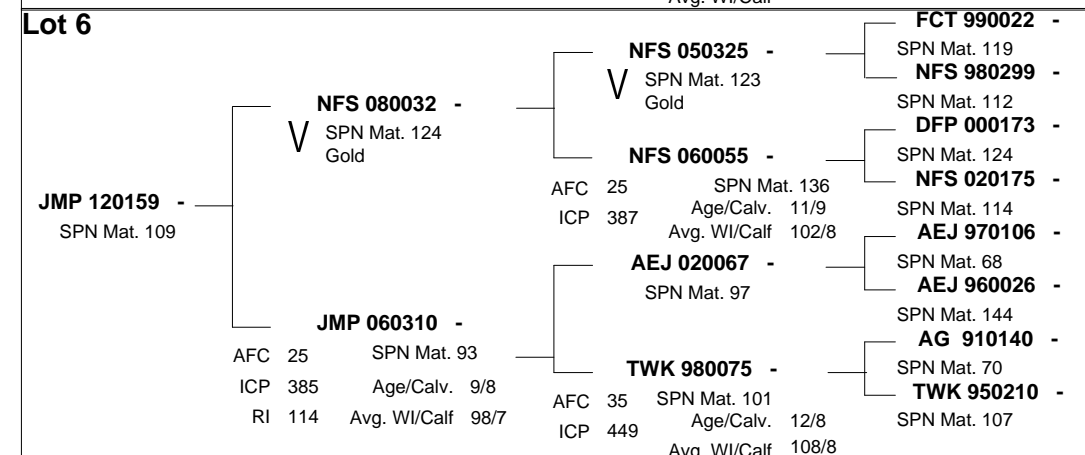
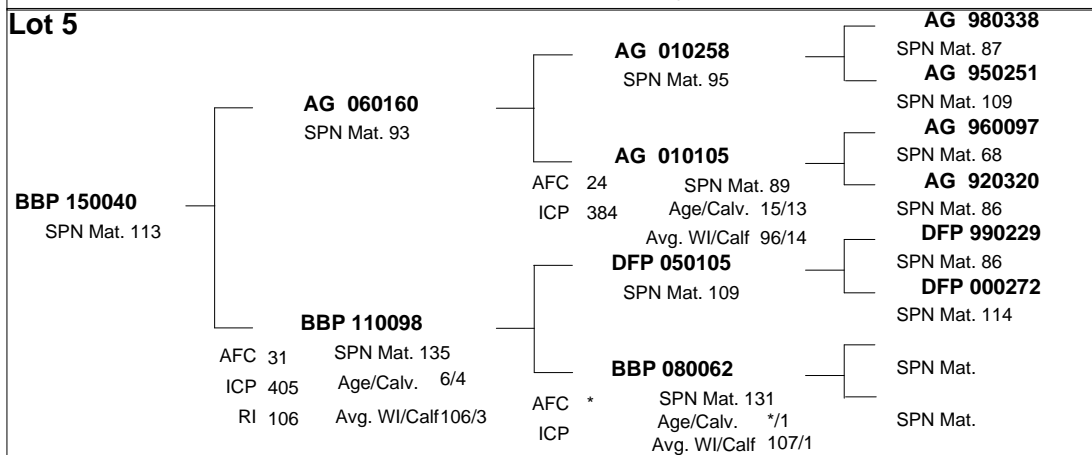
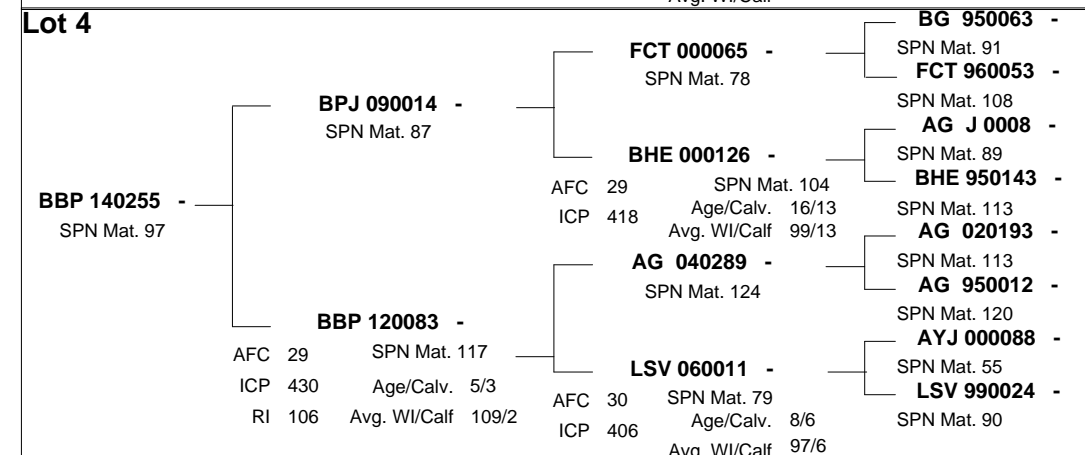
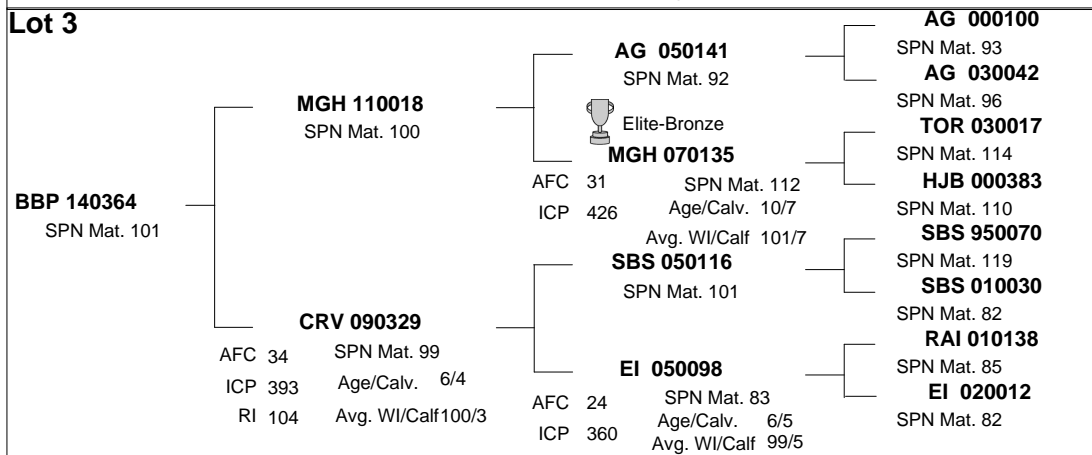
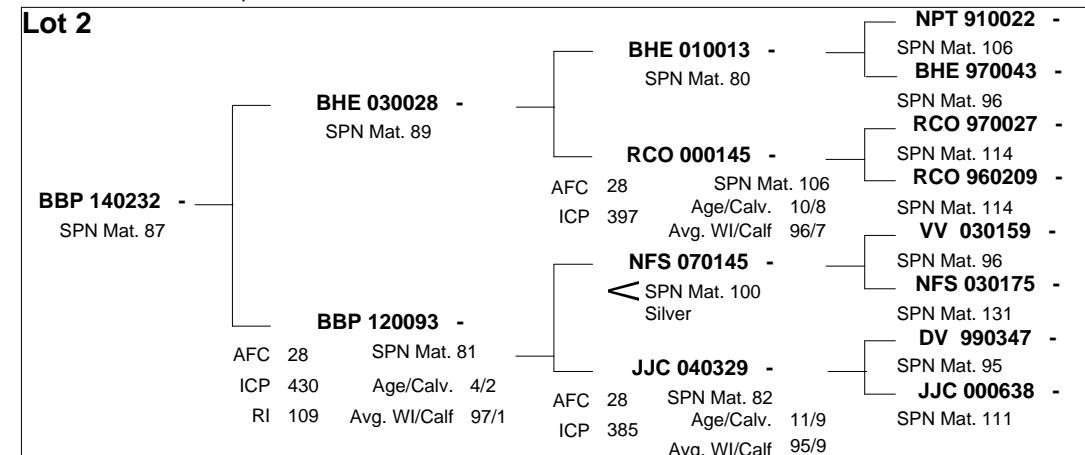
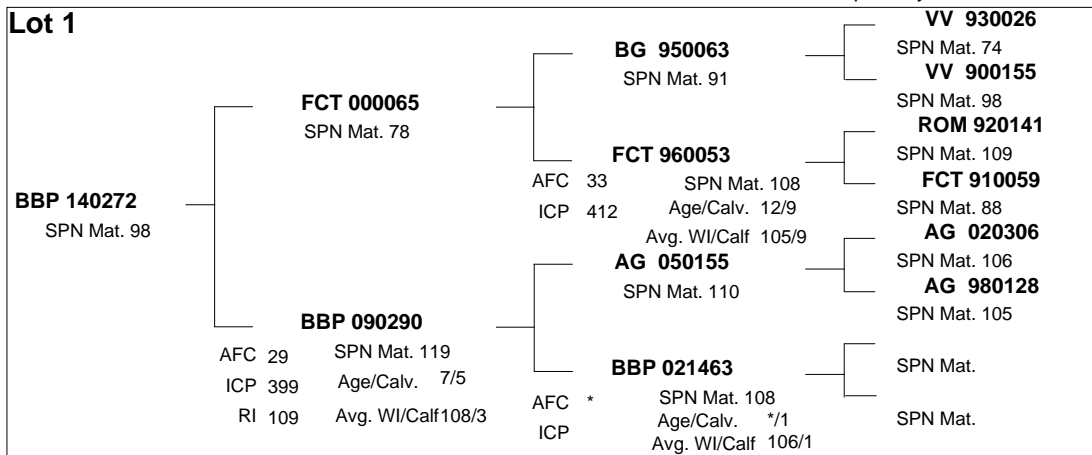
	DIRECT CALF TRAITS	DIREKTE KALF EIENSKAPPE	Kalf eienskappe
Calf traits	DIRECT CALF TRAITS	DIREKTE KALF EIENSKAPPE	Kalf eienskappe
Daughter traits	DAUGHTER TRAITS	DOGTER EIENSKAPPE	Dogter eienskappe
Growth traits	GROWTH	GROEI	Groei eienskappe
Efficiency traits	EFF	DOEL	Doeltreffendheids eienskappe
Reproduction traits	REPRODUCTION	REPRODUKSIE	Reproduksie eienskappe
Body measurements	MEASURE	MATES	Liggaamsmates
Lot number	Lot	Lot	Lotnommer
Ratio	R:	V:	Verhouding
Identification number	ID	ID	Identifikasienommer
Generation/Section of Herdbook	Gen	Gen	Generasie/Afdeling van kuddeboek
Weight in kilogram	Wgt kg	Gew kg	Gewig in kilogram
Index	Ind	Ind	Indeks
Accuracy of breeding value	Acc	Akk	Akkuraatheid van teelwaarde
Birth direct (kg)	Birth Dir	Geb Dir	Geboorte direk (kg)
Birth maternal (kg)	Birth Mat	Geb Mat	Geboorte maternaal (kg)
Wean direct (kg)	Wean Dir	Speen Dir	Speen direk (kg)
Wean maternal (kg)	Wean Mat	Speen Mat	Speen maternaal (kg)
Mature weight (kg)	Mature Wgt	Volw Gew	Volwasse gewig (kg)
365 Days (kg)	365d	365d	365 Dae (kg)
540 Days (kg)	540d	540d	540 Dae (kg)
Average daily gain (g/day)	ADG	GDT	Gemiddelde daaglikse toename (g/dag)
Feed conversion ratio	FCR	VOV	Voeromsetverhouding
Scrotal circumference (mm)	SC	SO	Skrotum omvang (mm)
Age First Calving	AFC	OEK	Ouderdom Eerste Kalwing
Inter Calving Period	ICP	TKP	Tussen Kalf Periode
Height (mm)	Hgt	Hgt	Hoogte (mm)
Length (mm)	Lgt	Lgt	Lengte (mm)
Length : Height ratio	LHR	HLV	Lengte : Hoogte verhouding
Birth weight : Cow weight ratio	BWR	GGV	Geboortegewig : Koeigewig verhouding
Wean weight : Cow weight ratio	WWR	SGV	Speengewig : Koeigewig verhouding
Age in years and months / Number of calvings	Age / Calv	Oud / Kalw	Ouderdom in jare en maande / Aantal kalwings
Average Wean index / Number of calves	Ave WI / Calf	Gem SI / Kalf	Gemiddelde Speenindeks / Aantal kalwers
Reproduction index	R.I.	R.I.	Reproduksie Indeks
Polled	Polled	Poena	Poena
Post Wean 365 days & Post Wean 540 days	PW365 & PW540	NS365 & NS540	Naspeen 365 dae & Naspeen 540 dae
Growth test & Growth test group	GT & GTg	GT & GTg	Groei Toets & Groeitoets groep
Central test	CT	ST	Sentrale toets
Ouerskap Verifikasie	OV	PV	Parentage Verification

Lot	Seller	ID	PARENTS	Test	Breeding Value Indexes											R:	Semen Users	Breeder Own Remarks			
					DIRECT CALF TRAITS		DAUGHTER TRAITS			GROWTH		EFF.	REP	MEASUREMENTS							
		POLLED		Gen		SIRE	LidCat	Birth Dir	Wean Dir	Birth Mat	Wean Mat	Mat Wgt	Post Wean	ADG	FCR	SC	Hgt	Lgt	LHR		
						DAM	DNA	Acc	Acc	Acc	Acc	Acc	Acc	Acc	Acc	Acc	Acc	Acc	BWR		
							Birth Date	Wgt kg	Wgt kg	Ind	kg	kg	kg	365d Ind	540d Ind	Ind	Ind	(mm)	(mm)	(mm)	WWR

BULLS

1	SOUTPANSBERG BOERDERY TRUST	BBP 140272	FCT 000065	GT	94	113	111	98	103	116	121	113	104	89	108	1.23		
			<input checked="" type="checkbox"/>	DNA	1.60	18.6	-0.69	3.0	12.0	31.1	184	-73	12.0	-6	23	8.41		
			BBP 090290	22.10.14	37	255	104	-	114	-	338	1117	1378	59				
2	SOUTPANSBERG BOERDERY TRUST	BBP 140232	BHE 030028	GT	114	75	127	87	79	72	83	79	118	89	93	1.17		
			<input checked="" type="checkbox"/>	DNA	-0.40	1.3	-1.42	0.1	-14.0	0.6	16	-3	23.0	-7	2	7.83		
			BBP 120093	27.09.14	31	209	97	-	91	-	381	1126	1315	47.2				
3	SOUTPANSBERG BOERDERY TRUST	BBP 140364	MGH 110018	GT	80	120	95	101	102	127	132	114	106	120	118	1.19		
			<input checked="" type="checkbox"/>	DNA	3.06	21.5	0.02	3.9	11.0	39.2	235	-74	13.8	18	37	8.83		
			CRV 090329	28.11.14	40	232	98	-	144	-	331	1179	1408	43.9				
4	SOUTPANSBERG BOERDERY TRUST	BBP 140255	BPJ 090014	GT	112	108	96	97	106	108	106	101	110	89	103	1.2		
			<input checked="" type="checkbox"/>	DNA	-0.24	15.9	0.00	2.7	16.0	25.4	120	-49	17.0	-7	17	8.72		
			BBP 120083	16.10.14	30	304	122	-	109	-	350	1114	1335	75.1				
5	SOUTPANSBERG BOERDERY TRUST	BBP 150040	AG 060160	GT	97	106	86	113	104	116	128	126	107	94	111	1.2		
			<input checked="" type="checkbox"/>	DNA	1.35	15.2	0.44	7.3	14.0	31.5	216	-98	14.5	-2	27	6.36		
			BBP 110098	14.02.15	34	241	110	-	96	-	344	1182	1423	47.1				
6	SOUTPANSBERG BOERDERY TRUST	JMP 120159	NFS 080032	GT	68	139	104	109	139	149	139	134	103	115	130	1.26		
			<input checked="" type="checkbox"/>	DNA	4.34	30.0	-0.36	6.1	52.0	54.1	266	-116	11.1	14	52	8.11		
			JMP 060310	25.09.12	43	277	107	-	105	-	350	1196	1502	44.8				

1.01	12.5	-0.20	3.7	10	20.1	91	-46	8.8	2	12
------	------	-------	-----	----	------	----	-----	-----	---	----



Lot	Verkoper	ID	POENA	Gen	OUERS	Toets	Teelwaarde indekse										LHV	GGV	SGV	Semen Gebruikers	Gebruiker Eie Opmerkings
							DIREKTE KALF EIENSKAPPE		DOGTER EIENSKAPPE			GROEI		DOEL	REP	MATES					
		Nageslag Geboortegewig		Nageslag Speengewig		Gemak van Kalwing	Melk prod.	Volwas-se Gewig	Naspeen-gewig	Daaglikse Toename	Voer-omset	Hoogte & Lengte									
		VADER	OV	LidCat	Geb Dir	Speen Dir	Geb Mat	Speen Mat	Volw Gew	Naspeen	GDT	VOV	SO	Hgt	Lgt						
		MOEDER	OV	DNS	Akk	Akk	Akk	Akk	Akk	Akk	Akk	Akk	Akk	Akk	Akk						
				Geb. dat.	Gew kg	Gew kg	Ind	kg	kg	kg	365d Ind	540d Ind	Ind	Ind	(mm)	(mm)	(mm)				

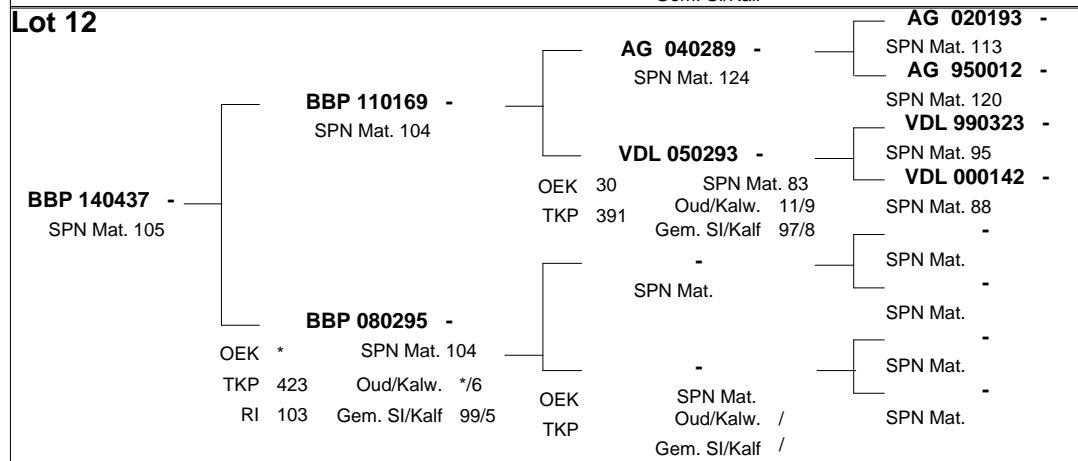
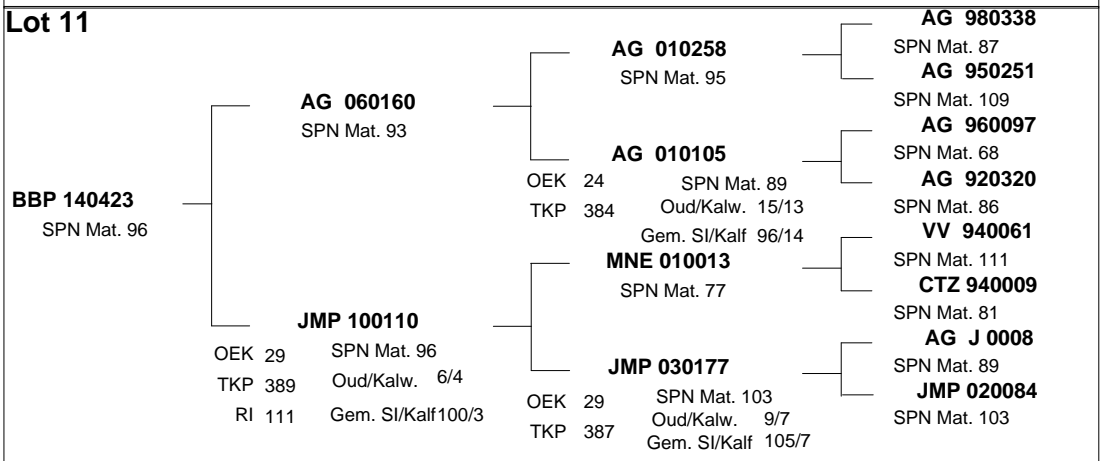
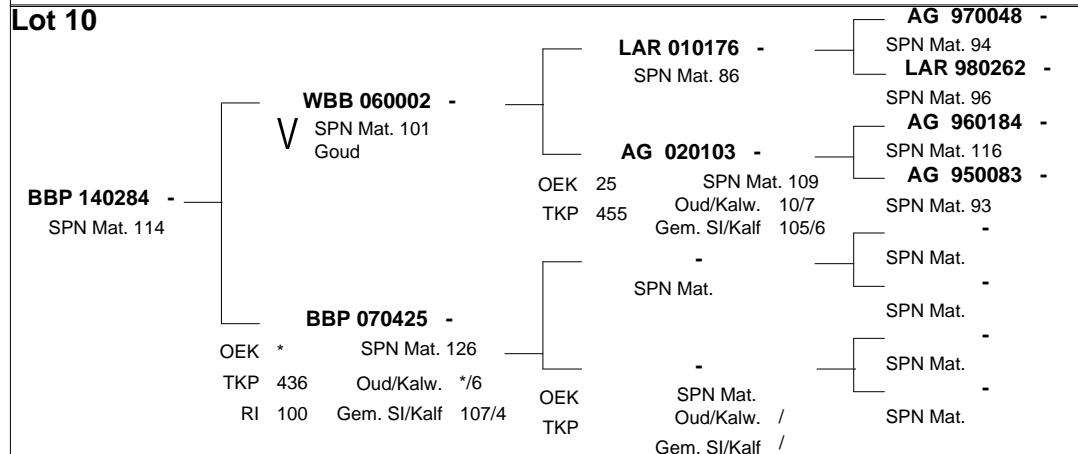
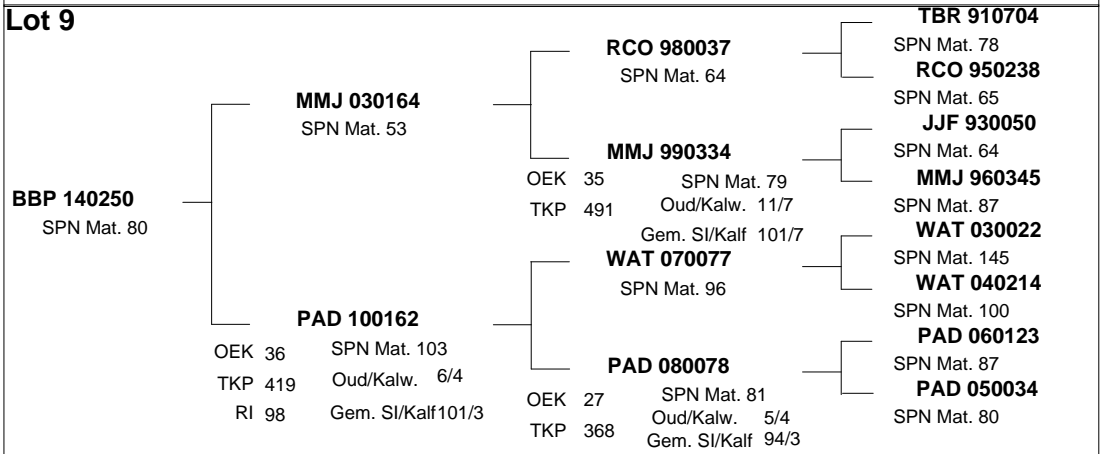
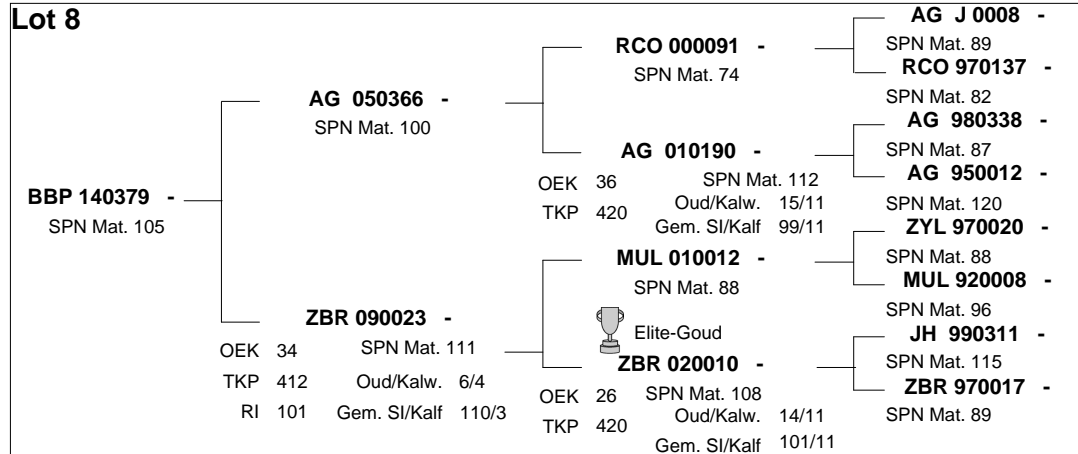
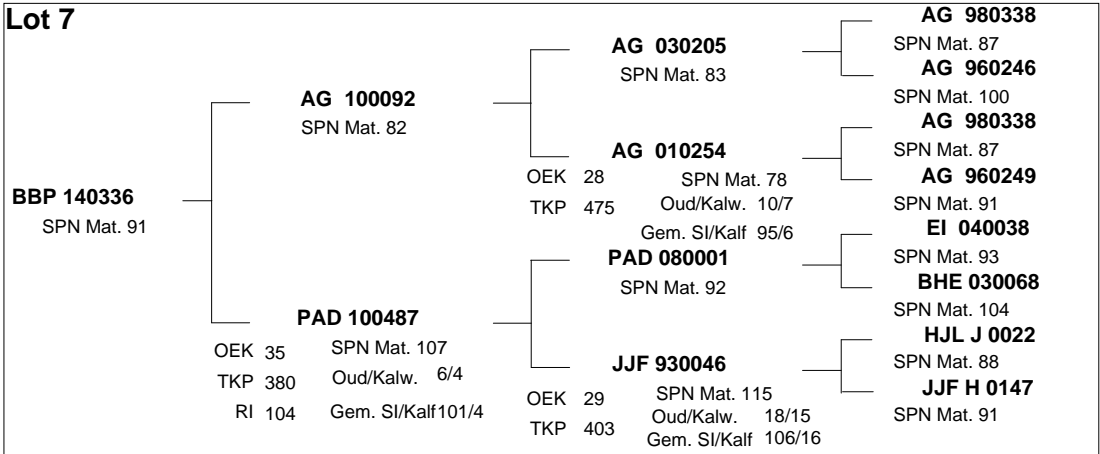
BULLE

7	SOUTPANSBERG BOERDERY TRUST	BBP 140336	AG 100092	GT	97	101	116	91	91	91	87	93	79	78	92	1.23			
			<input checked="" type="checkbox"/>	DNS	1.35	12.9	-0.94	1.1	-1.0	14.1	32	-31	-8.3	-15	2	7.3			
			PAD 100487	13.11.14	33	241	104			-	123	-	315	1122	1380	48.6			
8	SOUTPANSBERG BOERDERY TRUST	BBP 140379	AG 050366	GT	86	107	85	105	102	103	112	104	129	103	111	1.21			
			<input checked="" type="checkbox"/>	DNS	2.53	15.5	0.47	5.1	12.0	22.0	144	-54	32.1	4	27	8.88			
			ZBR 090023	04.12.14	42	250	106			-	109	-	374	1181	1432	41.1			
9	SOUTPANSBERG BOERDERY TRUST	BBP 140250	MMJ 030164	GT	92	108	110	80	106	118	133	118	117	104	106	1.19			
			<input checked="" type="checkbox"/>	DNS	1.89	16.0	-0.64	-1.9	16.0	32.8	237	-84	22.8	6	20	8.92			
			PAD 100162	14.10.14	37	237	95			-	128	-	372	1133	1344	49.5			
10	SOUTPANSBERG BOERDERY TRUST	BBP 140284	WBB 060002	GT	61	127	96	114	106	122	122	111	116	120	125	1.22			
			<input checked="" type="checkbox"/>	DNS	5.08	24.6	0.00	7.6	16.0	35.6	191	-68	21.3	18	46	9.37			
			BBP 070425	30.10.14	49	284	112			-	124	-	356	1170	1423	50.7			
11	SOUTPANSBERG BOERDERY TRUST	BBP 140423	AG 060160	GT	108	99	101	96	95	99	103	99	100	78	95	1.21			
			<input checked="" type="checkbox"/>	DNS	0.17	12.0	-0.24	2.4	4.0	19.7	104	-44	8.6	-15	6	7.28			
			JMP 100110	24.12.14	35	227	96			-	118	-	344	1100	1333	44.2			
12	SOUTPANSBERG BOERDERY TRUST	BBP 140437	BBP 110169	GT	101	97	94	105	98	108	127	121	112	105	114	1.21			
			<input checked="" type="checkbox"/>	DNS	0.87	11.0	0.06	5.1	7.0	25.6	212	-89	18.4	6	31	5.7			
			BBP 080295	27.12.14	34	222	96			-	106	-	346	1182	1434	41.3			

BONSAI BEESTELERSKAP VAN SA

Saamgestel deur die Suid-Afrikaanse Stamboek- en Veeverbeteringsvereniging

Veilingsdatum: 15/09/2017
Data soos op 24/08/2017 14:51:02

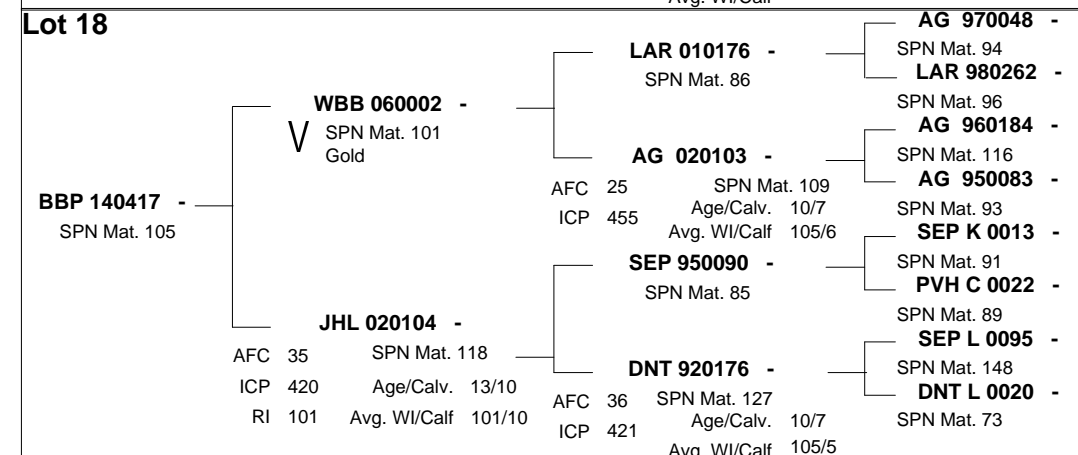
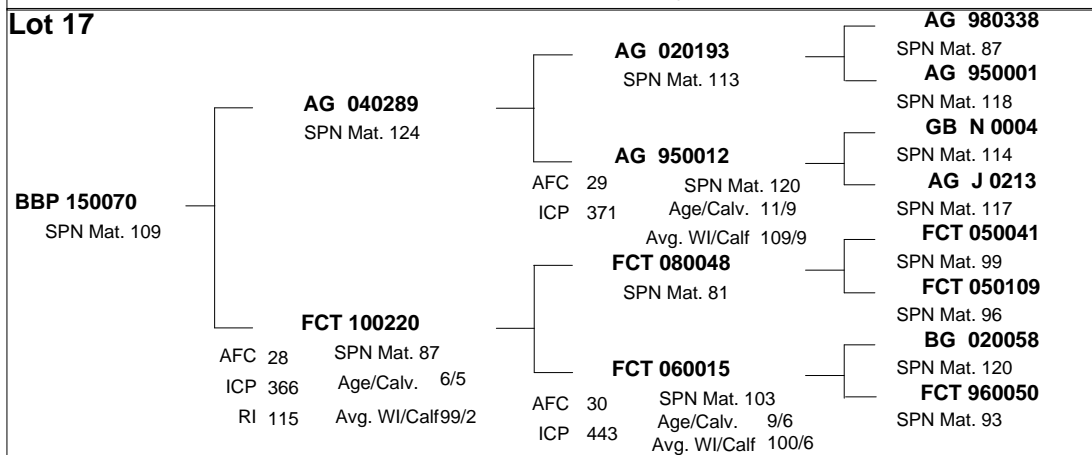
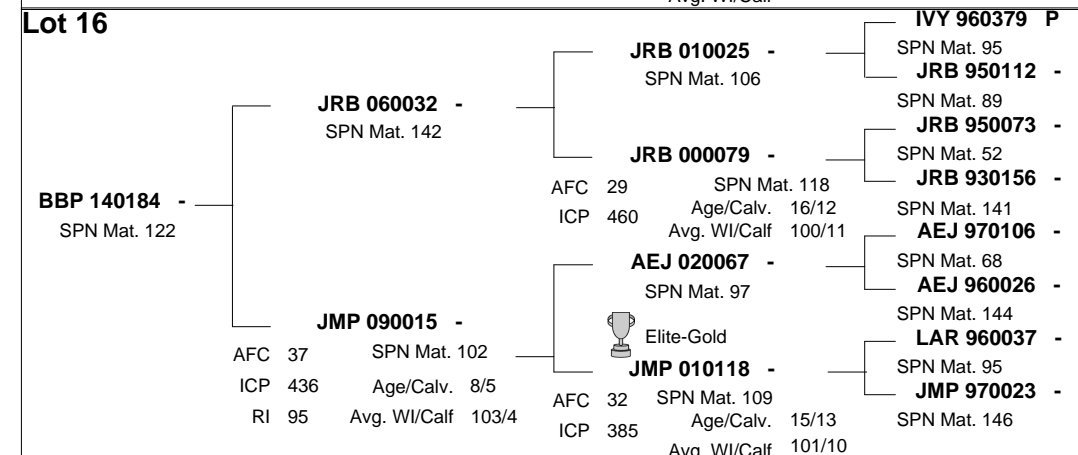
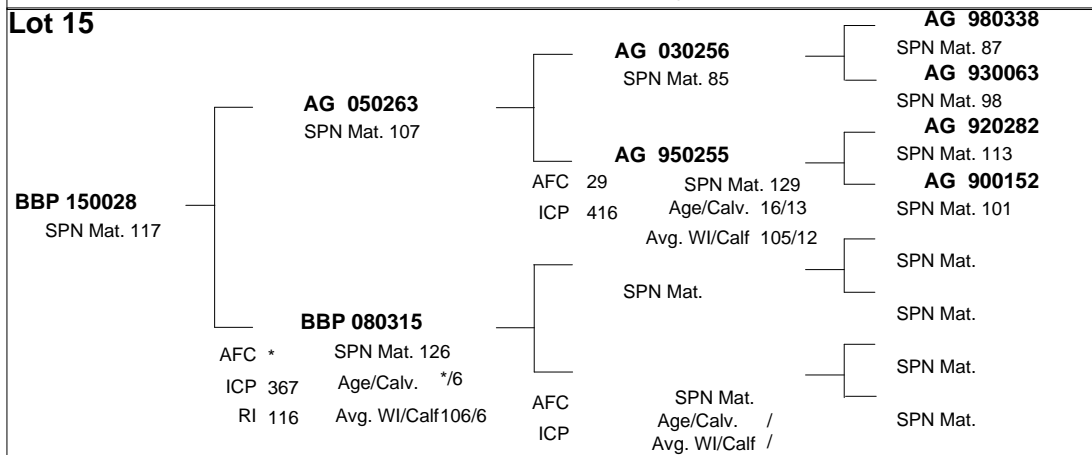
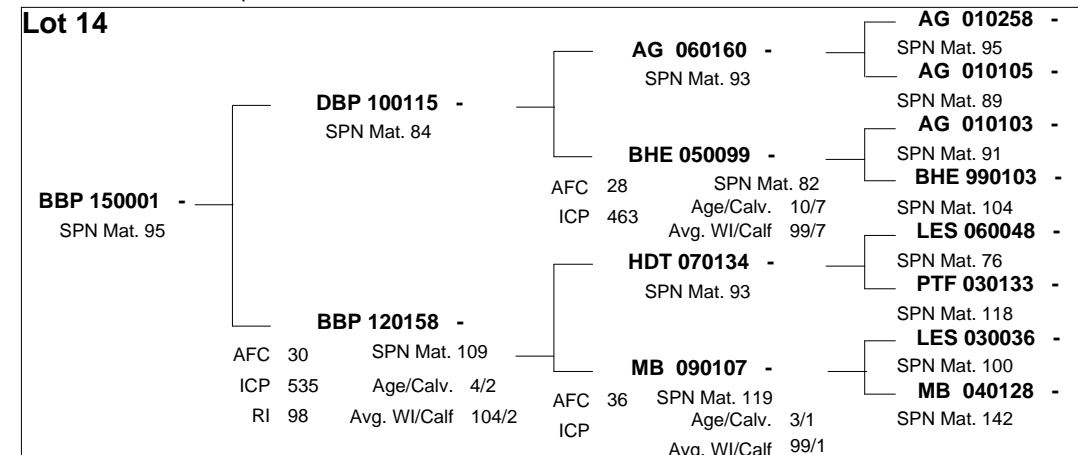
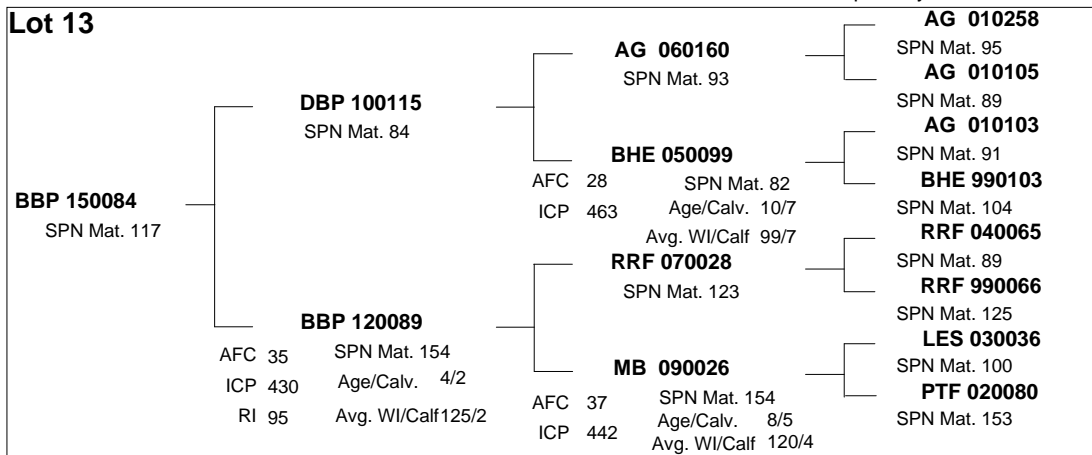


Lot	Seller	ID	PARENTS	Test	Breeding Value Indexes											R:	Semen Users	Breeder Own Remarks				
					DIRECT CALF TRAITS		DAUGHTER TRAITS			GROWTH		EFF.	REP	MEASUREMENTS								
		POLLED		SIRE		LidCat		Birth Dir		Wean Dir		Birth Mat	Wean Mat	Mat Wgt	Post Wean		ADG	FCR	SC	Hgt	Lgt	LHR
		Gen		PV		DNA		Acc	Acc	Acc	Acc	Acc	Acc	Acc	Acc	Acc	Acc	Acc	Acc	Acc	Acc	BWR
				PV		Birth Date		Wgt kg	Wgt kg	Ind	kg	kg	kg	365d Ind	540d Ind	Ind	Ind	(mm)	(mm)	(mm)	WWR	

BULLS

13	SOUTPANSBERG BOERDERY TRUST	BBP 150084	DBP 100115 <input checked="" type="checkbox"/>	GT	92	124	103	117	107	118	118	115	113	97	113	1.22		
				DNA	1.84 74	23.4 69	-0.31 44	8.4 47	17.0 36	32.8 58	170 63	-76 21	19.0 72	0 73	29 70	7.07		
				BBP 120089 <input checked="" type="checkbox"/>	08.05.15	35	250	135					102	-	344	1164	1415	55.8
14	SOUTPANSBERG BOERDERY TRUST	BBP 150001	DBP 100115 <input checked="" type="checkbox"/>	GT	110	102	109	95	106	102	101	104	108	85	100	1.21		
				DNA	-0.07 74	13.6 68	-0.62 42	2.4 46	16.0 34	21.8 54	97 62	-54 21	15.0 72	-10 74	13 70	7.61		
				BBP 120158 <input checked="" type="checkbox"/>	01.01.15	30	202	104					91	-	357	1142	1379	48.6
15	SOUTPANSBERG BOERDERY TRUST	BBP 150028	AG 050263 <input checked="" type="checkbox"/>	GT	96	98	88	117	100	94	96	95	93	94	103	1.21		
				DNA	1.43 75	11.6 70	0.34 58	8.4 61	10.0 39	16.2 58	72 64	-37 24	2.8 72	-2 74	16 71	6.61		
				BBP 080315	06.01.15	36	176	102					126	-	343	1155	1401	38.3
16	SOUTPANSBERG BOERDERY TRUST	BBP 140184	JRB 060032 <input checked="" type="checkbox"/>	GT	80	116	96	122	116	110	109	107	88	110	109	1.22		
				DNA	3.13 78	19.8 74	-0.02 58	9.7 60	27.0 47	27.4 62	133 67	-59 30	-0.7 75	10 76	25 73	6.2		
				JMP 090015	11.08.14	39	221	102					110	-	310	1134	1379	35.1
17	SOUTPANSBERG BOERDERY TRUST	BBP 150070	AG 040289 <input checked="" type="checkbox"/>	GT	95	102	106	109	99	107	108	107	111	85	99	1.21		
				DNA	1.56 78	13.3 74	-0.47 60	6.1 59	9.0 52	24.9 64	125 68	-61 46	17.5 75	-10 76	11 73	6.34		
				FCT 100220	09.04.15	37	182	100					118	-	354	1141	1379	35.3
18	SOUTPANSBERG BOERDERY TRUST	BBP 140417	WBB 060002 <input checked="" type="checkbox"/>	GT	99	102	104	105	90	94	98	90	116	125	115	1.2		
				DNA	1.15 79	13.4 75	-0.40 61	4.9 64	-1.0 50	16.1 64	82 69	-26 47	21.5 76	22 77	32 74	6.55		
				JHL 020104 <input checked="" type="checkbox"/>	21.12.14	31	251	110					102	-	369	1189	1421	46.8

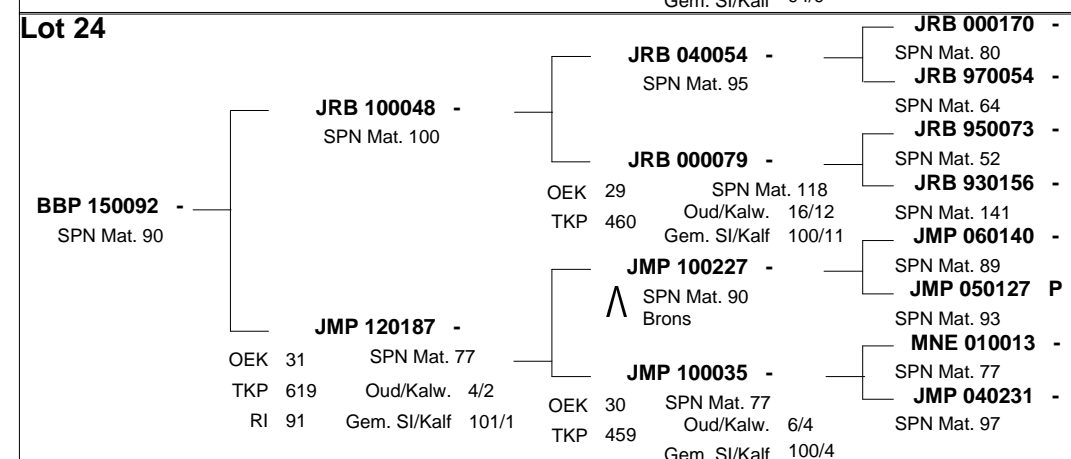
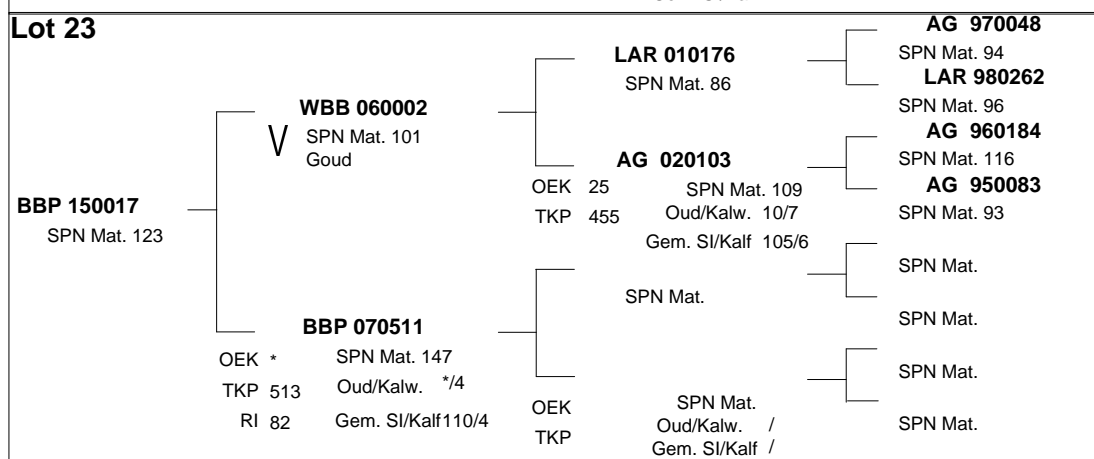
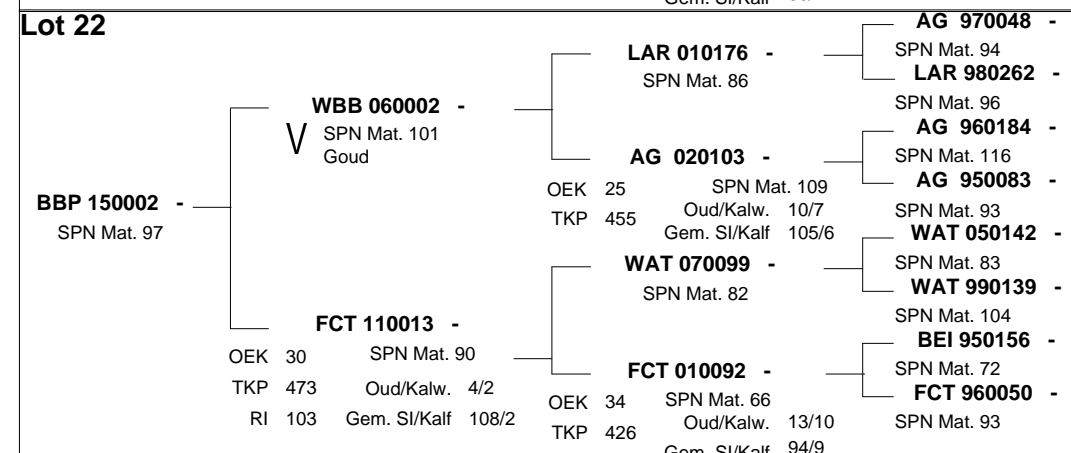
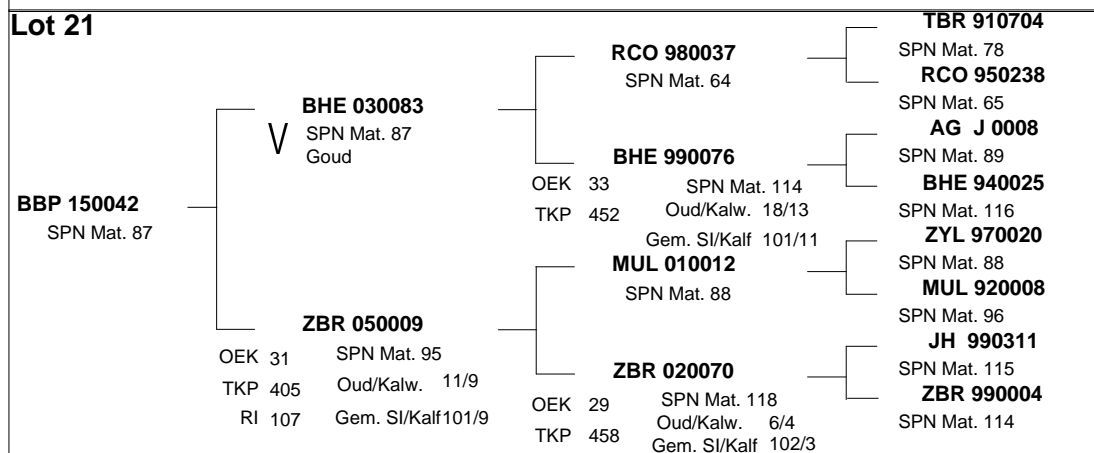
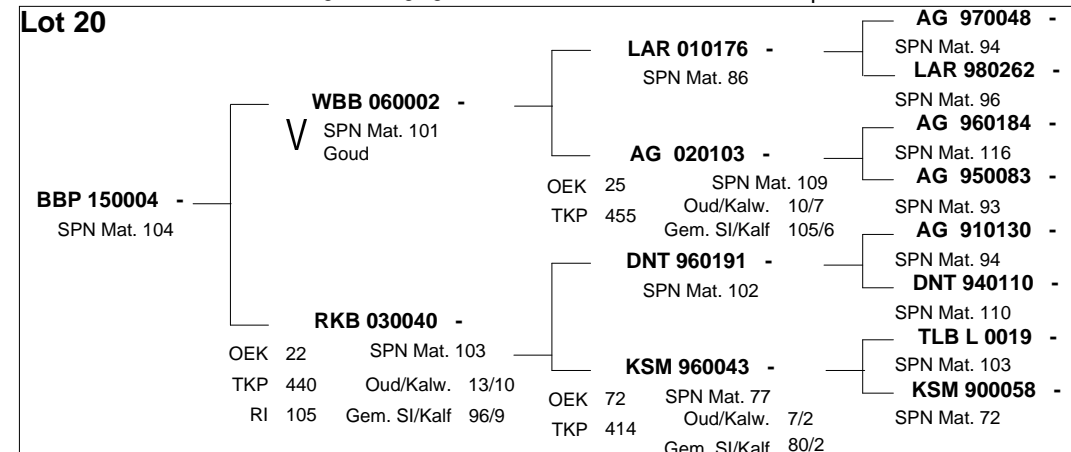
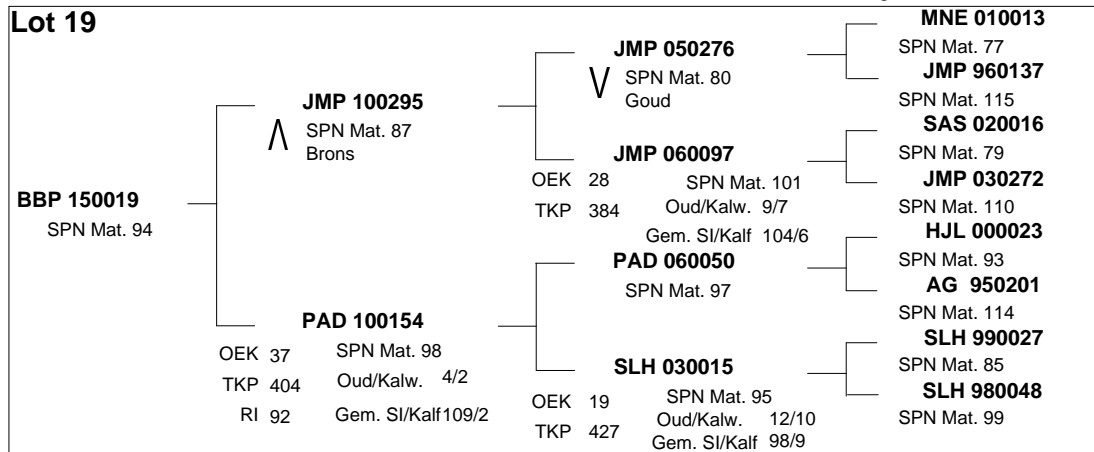
1.01	12.5	-0.20	3.7	10	20.1	91	-46	8.8	2	12
------	------	-------	-----	----	------	----	-----	-----	---	----



Lot	Verkoper	ID POENA Gen	OUERS	Toets	Teelwaarde indekse												LHV	GGV	SGV	Semen Gebruikers	Gebruiker Eie Opmerkings				
					VADER	LidCat	Geb Dir	Speen Dir	Geb Mat	Speen Mat	Volwas- Gew	Naspeen	GDT	VOV	SO	Hgt						Lgt	LHV	GGV	SGV
					OV	DNS	Akk	Akk	Akk	Akk	Akk	Akk	Akk	Akk	Akk	Akk						Akk	Akk	Akk	Akk
			MOEDER	Geb. dat.	Gew kg	Gew kg	Ind	kg	kg	kg	365d Ind	540d Ind	Ind	Ind	(mm)	(mm)	(mm)								

BULLE

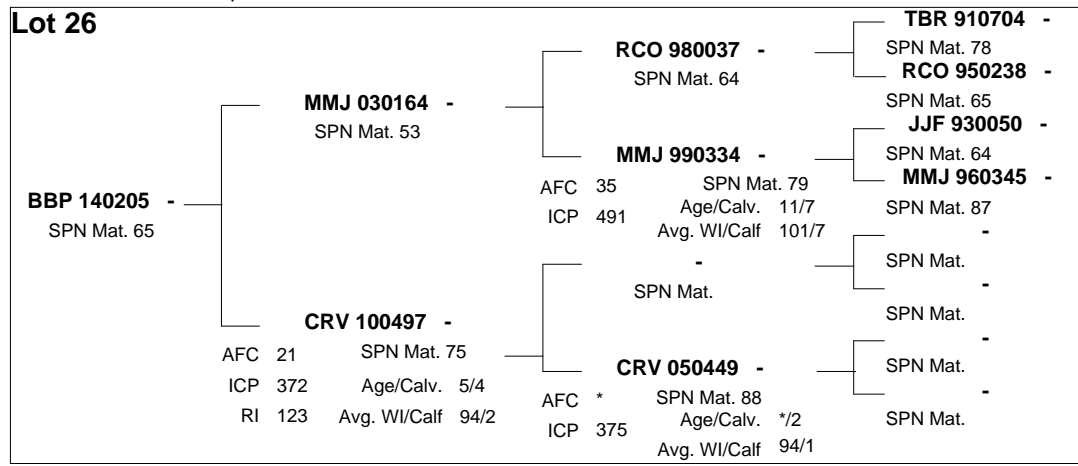
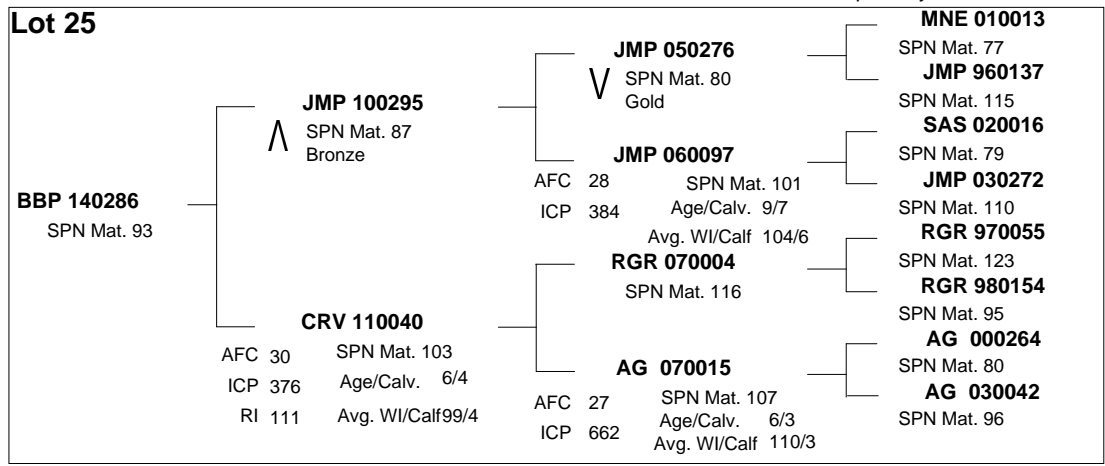
19	SOUTPANSBERG BOERDERY TRUST	BBP 150019	JMP 100295 <input checked="" type="checkbox"/>	GT	102	97	100	94	97	96	100	104	102	95	99	1.18		
				DNS	0.84	11.0	-0.18	2.0	7.0	17.5	92	-54	10.6	-1	11	7.64		
				PAD 100154	17.01.15	36	206	90	-	92	-	357	1180	1397	46.3			
20	SOUTPANSBERG BOERDERY TRUST	BBP 150004	WBB 060002 <input checked="" type="checkbox"/>	GT	91	103	79	104	86	117	132	120	114	127	118	1.2		
				DNS	1.98	14.0	0.74	4.7	-6.0	32.0	236	-86	19.9	23	37	-		
				RKB 030040 <input checked="" type="checkbox"/>	05.01.15	-	222	99	-	121	-	361	1234	1481	55.8			
21	SOUTPANSBERG BOERDERY TRUST	BBP 150042	BHE 030083 <input checked="" type="checkbox"/>	GT	112	103	114	87	84	99	97	100	119	87	97	1.19		
				DNS	-0.28	14.1	-0.84	-0.1	-8.0	19.4	79	-46	24.5	-8	9	6.42		
				ZBR 050009	17.02.15	31	246	114	-	100	-	373	1184	1414	51.4			
22	SOUTPANSBERG BOERDERY TRUST	BBP 150002	WBB 060002 <input checked="" type="checkbox"/>	GT	63	130	84	97	109	138	142	122	120	132	127	1.19		
				DNS	4.87	26.1	0.51	2.8	19.0	46.4	279	-90	24.9	27	49	9.15		
				FCT 110013	03.01.15	41	228	99	-	117	-	364	1223	1460	46.8			
23	SOUTPANSBERG BOERDERY TRUST	BBP 150017	WBB 060002 <input checked="" type="checkbox"/>	NS540	77	116	95	123	104	112	121	112	121	127	125	-		
				DNS	3.38	19.7	0.03	10.1	14.0	28.8	186	-70	25.8	23	46	7.05		
				BBP 070511	16.01.15	40	231	102	100	100	-	-	-	-	45.4			
24	SOUTPANSBERG BOERDERY TRUST	BBP 150092	JRB 100048 <input checked="" type="checkbox"/>	GT	104	104	107	90	89	107	110	98	103	103	106	1.2		
				DNS	0.62	14.5	-0.50	0.9	-3.0	24.8	135	-42	11.5	5	20	7.67		
				JMP 120187	17.05.15	33	193	101	-	101	-	330	1168	1400	47.2			



Lot	Seller	ID POLLED Gen	PARENTS		Test	Breeding Value Indexes											LHR BWR WWR	Semen Users	Breeder Own Remarks
			SIRE PV	DAM PV		LidCat	Birth Dir	Wean Dir	Birth Mat	Wean Mat	Mat Wgt	Post Wean	ADG	FCR	SC	Hgt			
					Birth Date	Wgt kg	Wgt kg	Ind	kg	kg	kg	365d Ind	540d Ind	Ind	Ind	(mm)	(mm)	(mm)	

BULLS

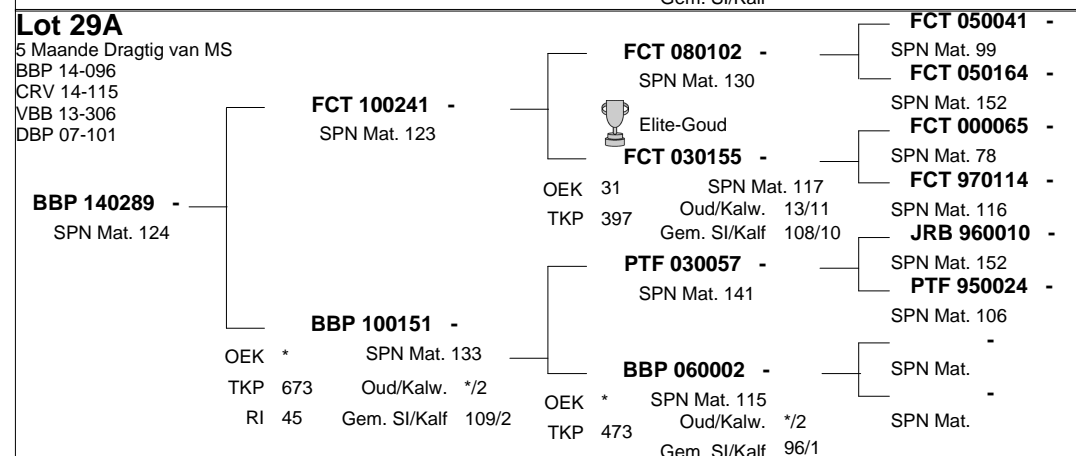
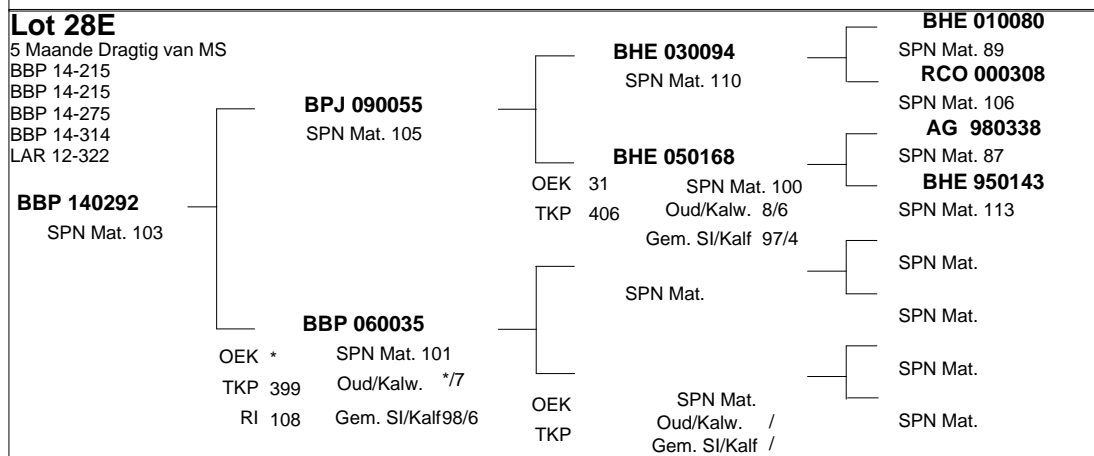
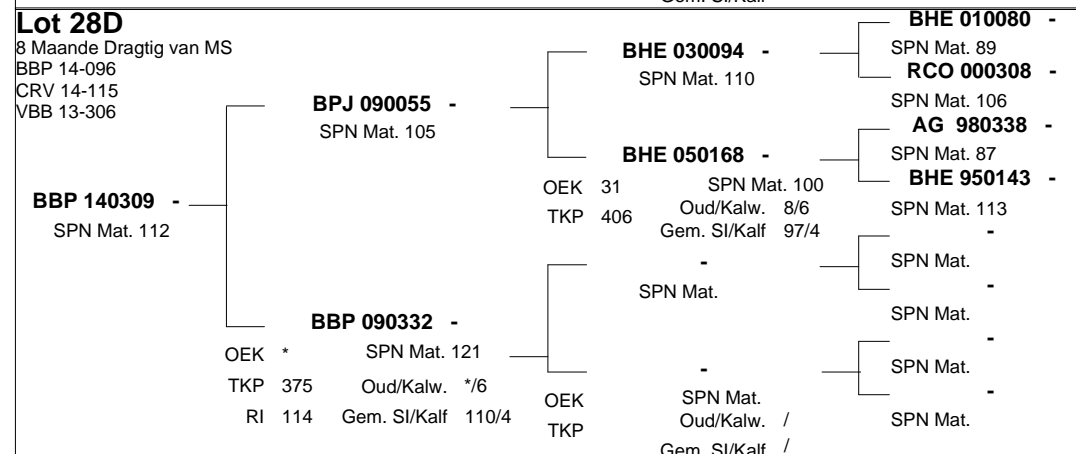
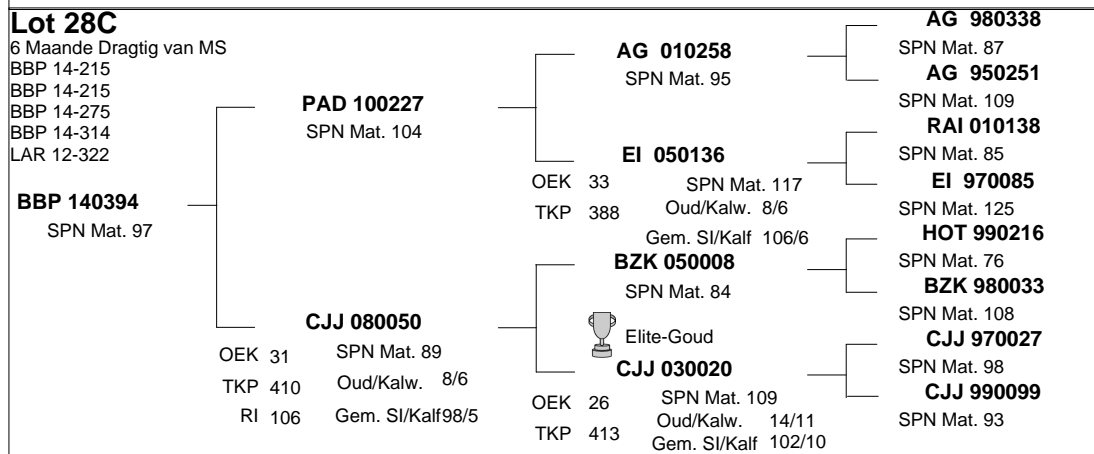
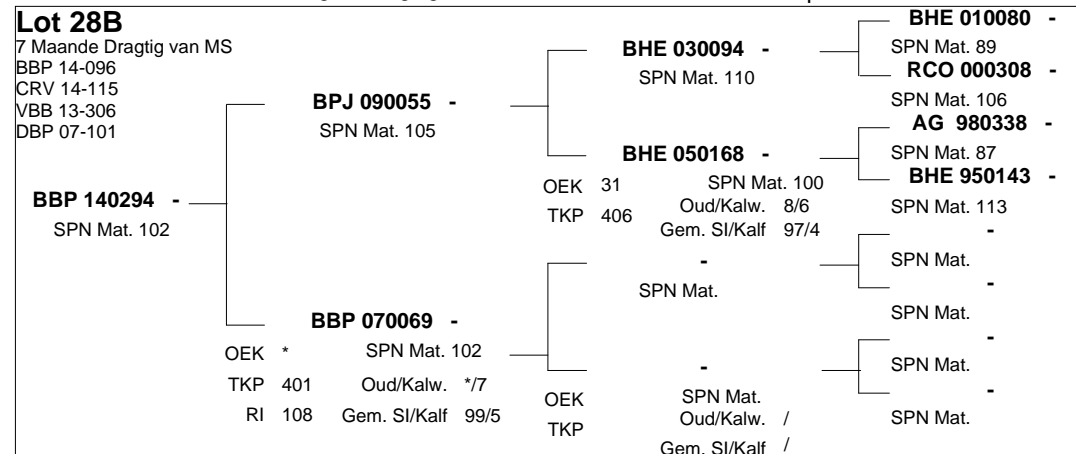
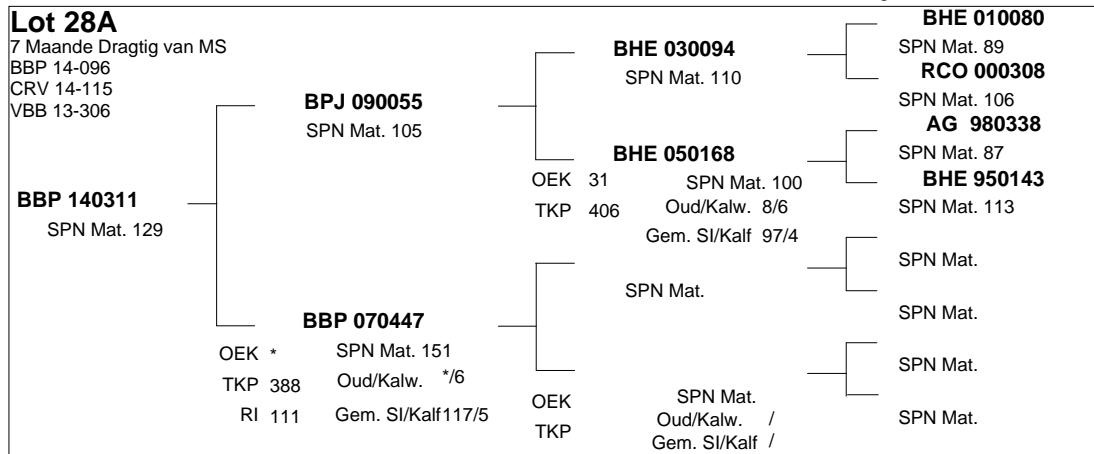
25	SOUTPANSBERG BOERDERY TRUST	BBP 140286 SP	JMP 100295	GT	115	99	122	93	103	96	99	96	104	85	100	1.21	
			<input checked="" type="checkbox"/>	DNA	-0.55	12.2	-1.19	1.7	12.0	17.3	86	-37	11.9	-9	12	6.15	
			CRV 110040	31.10.14	26	235	99			-		106	-	348	1091	1323	50
26	SOUTPANSBERG BOERDERY TRUST	BBP 140205 B	MMJ 030164	GT	103	88	104	65	116	90	97	96	100	94	93	1.18	
			<input checked="" type="checkbox"/>	DNA	0.67	6.9	-0.40	-6.0	27.0	12.8	77	-38	9.0	-3	3	7.07	
			CRV 100497	15.09.14	35	199	94			-		111	-	357	1110	1308	35.7



VROULIKE DIERE

Lot	Verkoper	ID	OUERS	Toets	Teelwaarde indekse										DOEL	REP	MATES	V:	Gebruiker	Eie Opmerkings	
					DIREKTE KALF EIENSKAPPE	DOGTER EIENSKAPPE	GROEI	Naspeen		GDT	VOV	SO	Hgt	Lgt							LHV
		VADER	MOEDER	LidCat	Geb Dir	Speen Dir	Geb Mat	Speen Mat	Volw Gew	Naspeen	GDT	VOV	SO	Hgt	Lgt	LHV	GGV	SGV			
		OV	OV	DNS	Akk	Akk	Akk	Akk	Akk	Akk	Akk	Akk	Akk	Akk	Akk	Akk	Akk	Akk	Akk		
		Gen	Gen	Geb. dat.	Gew kg	Gew kg	Ind	kg	kg	kg	365d Ind	540d Ind	Ind	Ind	(mm)	(mm)	(mm)				
Dragtige Verse																					
28 A	SOUTPANSBERG BOERDERY TRUST	BBP 140311	BPJ 090055 <input checked="" type="checkbox"/>	NS540	94	97	95	129	101	97	95	97	101	107	111	-					
		B	BPJ 090055 <input checked="" type="checkbox"/>	DNS	1.69	11.1	0.02	11.8	10.0	17.9	70	-40	9.3	7	28	7.24					7 Maande Dragtig van MS ;BBP 14-096 ;CRV 14-115 ;VBB 13-306
			BBP 070447 <input checked="" type="checkbox"/>	10.11.14	36	216	104			101	103					40.3					
28 B	SOUTPANSBERG BOERDERY TRUST	BBP 140294	BPJ 090055 <input checked="" type="checkbox"/>	NS540	98	93	84	102	101	93	94	97	100	110	110	-					
		B	BPJ 090055 <input checked="" type="checkbox"/>	DNS	1.26	9.2	0.52	4.3	11.0	14.9	64	-41	8.8	10	26	7.86					7 Maande Dragtig van MS ;BBP 14-096 ;CRV 14-115 ;VBB 13-306 ;DBP 07-101
			BBP 070069 <input checked="" type="checkbox"/>	12.10.14	36	217	106			109	97					44.6					
28 C	SOUTPANSBERG BOERDERY TRUST	BBP 140394	PAD 100227 <input checked="" type="checkbox"/>	NS540	90	109	91	97	97	106	92	103	82	92	95	-					
		SP	PAD 100227 <input checked="" type="checkbox"/>	DNS	2.09	16.7	0.19	2.8	7.0	24.6	55	-52	-5.9	-4	6	7.2					6 Maande Dragtig van MS ;BBP 14-215 ;BBP 14-215 ;BBP 14-275 ;BBP 14-314 ;LAR 12-322
			CJJ 080050 <input checked="" type="checkbox"/>	14.12.14	36	210	100			92	98					38.2					
28 D	SOUTPANSBERG BOERDERY TRUST	BBP 140309	BPJ 090055 <input checked="" type="checkbox"/>	NS540	86	102	85	112	105	99	98	101	105	113	114	-					
		B	BPJ 090055 <input checked="" type="checkbox"/>	DNS	2.46	13.7	0.48	7.0	15.0	19.7	80	-47	12.8	12	31	8.37					8 Maande Dragtig van MS ;BBP 14-096 ;CRV 14-115 ;VBB 13-306
			BBP 090332 <input checked="" type="checkbox"/>	05.11.14	38	231	113			95	90					47					
28 E	SOUTPANSBERG BOERDERY TRUST	BBP 140292	BPJ 090055 <input checked="" type="checkbox"/>	NS540	98	90	92	103	96	91	97	101	97	105	106	-					
		B	BPJ 090055 <input checked="" type="checkbox"/>	DNS	1.17	8.1	0.18	4.6	6.0	13.5	76	-48	6.7	6	21	7.52					5 Maande Dragtig van MS ;BBP 14-215 ;BBP 14-215 ;BBP 14-275 ;BBP 14-314 ;LAR 12-322
			BBP 060035 <input checked="" type="checkbox"/>	08.10.14	37	206	99			99	97					42.2					
29 A	SOUTPANSBERG BOERDERY TRUST	BBP 140289	FCT 100241 <input checked="" type="checkbox"/>	NS540	77	129	94	124	111	122	117	108	127	119	121	-					
		SP	FCT 100241 <input checked="" type="checkbox"/>	DNS	3.45	25.6	0.10	10.3	22.0	35.8	169	-62	30.6	17	41	7.54					5 Maande Dragtig van MS ;BBP 14-096 ;CRV 14-115 ;VBB 13-306 ;DBP 07-101
			BBP 100151 <input checked="" type="checkbox"/>	30.09.14	37	286	126			114	97					59					

SAAMGESTEL DEUR DIE SUID-AFRIKAANSE STAMBOEK- EN VEEVERBETERINGSVERENIGING





BONSMARA
SA

BONSMARA CATTLE BREEDERS' SOCIETY OF SA

Compiled by the South African Stud Book and Livestock Improvement Association

Pedigree- and Performance data certified correct

Auction Date: 15/09/2017
Data as on 24/08/2017 14:51:06


FEMALE ANIMALS

Lot	Seller	ID	PARENTS	Test	Breeding Value Indexes											LHR	BWR	WWR	Breeder Own Remarks
					DIRECT CALF TRAITS		DAUGHTER TRAITS			GROWTH		EFF.	REP	MEASUREMENTS					
				Progeny Birth Weight		Progeny Wean Weight		Ease of Calving	Milk prod.	Mature Weight	Post Wean Weight		Daily Gain	Feed Conv	Height & Length				
		SIRE PV		LidCat	Birth Dir	Wean Dir		Birth Mat	Wean Mat	Mat Wgt	Post Wean		ADG	FCR	SC	Hgt	Lgt		
		DAM PV		DNA	Acc	Acc		Acc	Acc	Acc	Acc		Acc	Acc	Acc	Acc	Acc		
		Gen		Birth Date	Wgt kg	Wgt kg	Ind	kg	kg	kg	365d Ind	540d Ind	Ind	Ind	(mm)	(mm)	(mm)		
29 B	SOUTPANSBERG BOERDERY TRUST	BBP 140315	AG 060160 <input checked="" type="checkbox"/>	PW540	82	108	93	128	88	105	107	106	100	90	106	-		6 Maande Dragtig van MS ;BBP 14-215 ;BBP 14-215 ;BBP 14-275 ;BBP 14-314 ;LAR 12-322	
		SP	MB 090026 <input checked="" type="checkbox"/>	DNA	2.87 79	16.3 74	0.12 59	11.4 61	-3.0 49	23.8 64	123 55	-59 37	9.0 58	-5 58	20 57	7.52			
				02.11.14	38	222	106			97	101							40.9	
29 C	SOUTPANSBERG BOERDERY TRUST	BBP 140303	BPJ 090055 <input checked="" type="checkbox"/>	PW365	108	83	92	104	87	85	87	93	97	99	101	-		7 Maande Dragtig van MS ;BBP 14-096 ;CRV 14-115 ;VBB 13-306 ;DBP 07-101	
		B	BBP 070056 <input checked="" type="checkbox"/>	DNA	0.21 75	4.8 70	0.16 47	4.8 51	-5.0 27	9.6 51	31 45	-32 25	6.5 48	2 49	14 48	7.21			
				26.10.14	33	196	96			94	-							40.9	
29 D	SOUTPANSBERG BOERDERY TRUST	BBP 140228	FCT 100241 <input checked="" type="checkbox"/>	PW540	87	110	107	117	104	102	95	98	113	106	109	-		7 Maande Dragtig van MS ;BBP 14-096 ;CRV 14-115 ;VBB 13-306	
		B	BBP 080294 <input checked="" type="checkbox"/>	DNA	2.38 74	16.9 67	-0.52 44	8.3 48	14.0 22	21.5 60	67 42	-42 18	19.0 46	7 46	24 45	7.39			
				23.09.14	39	248	105			102	99							48	
29 E	SOUTPANSBERG BOERDERY TRUST	BBP 140371	MBT 110100 <input checked="" type="checkbox"/>	PW540	85	117	104	114	113	115	123	121	111	116	107	-		8 Maande Dragtig van MS ;BBP 14-096 ;CRV 14-115 ;VBB 13-306 ;DBP 07-101	
		SP	JHL 050070 <input checked="" type="checkbox"/>	DNA	2.63 78	20.1 73	-0.40 48	7.6 52	24.0 38	30.4 64	193 45	-88 27	17.9 49	15 49	22 48	8.37			
				01.12.14	40	235	109			101	110							42.7	
30 A	SOUTPANSBERG BOERDERY TRUST	BBP 140227	BPJ 090055 <input checked="" type="checkbox"/>	PW540	96	92	89	97	94	93	88	94	95	103	103	-		7 Maande Dragtig van MS ;BBP 14-096 ;CRV 14-115 ;VBB 13-306	
		B	BBP 080305 <input checked="" type="checkbox"/>	DNA	1.45 75	8.7 69	0.32 45	2.8 49	3.0 25	15.3 50	35 43	-33 25	5.1 45	5 45	17 45	7.17			
				12.09.14	38	223	93			100	107							42.7	
30 B	SOUTPANSBERG BOERDERY TRUST	BBP 140296	BPJ 090055 <input checked="" type="checkbox"/>	PW365	101	84	89	96	93	86	85	91	96	103	103	-		5 Maande Dragtig van MS ;BBP 14-215 ;BBP 14-215 ;BBP 14-275 ;BBP 14-314 ;LAR 12-322	
		B	BBP 080017 <input checked="" type="checkbox"/>	DNA	0.86 75	5.2 67	0.30 44	2.7 45	1.0 24	10.1 46	22 45	-27 25	5.3 48	5 49	16 48	6.79			
				15.10.14	36	190	90			101	-							32.8	

1.01	12.5	-0.20	3.7	10	20.1	91	-46	8.8	2	12
------	------	-------	-----	----	------	----	-----	-----	---	----

Lot 29B 6 Maande Dragtig van MS BBP 14-215 BBP 14-215 BBP 14-275 BBP 14-314 LAR 12-322						AG 980338 SPN Mat. 87	
BBP 140315 SPN Mat. 128		AG 010258 SPN Mat. 95				AG 950251 SPN Mat. 109	
		AG 010105 AFC 24 SPN Mat. 89 ICP 384 Age/Calv. 15/13 Avg. Wl/Calf 96/14				AG 960097 SPN Mat. 68	
		LES 030036 SPN Mat. 100				AG 920320 SPN Mat. 86	
MB 090026 AFC 37 SPN Mat. 154 ICP 442 Age/Calv. 8/5 RI 94 Avg. Wl/Calf 120/4		PTF 020080 AFC 31 SPN Mat. 153 ICP 463 Age/Calv. 14/10 Avg. Wl/Calf 110/8				AG 970053 SPN Mat. 94	
						LES 000044 SPN Mat. 95	
						JRB 960010 SPN Mat. 152	
						PTF 000050 SPN Mat. 105	

Lot 29C 7 Maande Dragtig van MS BBP 14-096 CRV 14-115 VBB 13-306 DBP 07-101						BHE 010080 - SPN Mat. 89	
BBP 140303 - SPN Mat. 104		BHE 030094 - SPN Mat. 110				RCO 000308 - SPN Mat. 106	
		BHE 050168 - AFC 31 SPN Mat. 100 ICP 406 Age/Calv. 8/6 Avg. Wl/Calf 97/4				AG 980338 - SPN Mat. 87	
		BHE 950143 - SPN Mat. 113				BHE 950143 - SPN Mat. 113	
BBP 070056 - AFC * SPN Mat. 102 ICP 363 Age/Calv. *7/7 RI 116 Avg. Wl/Calf 98/6						-	
						-	
						-	
						-	
						-	
						-	
						-	
						-	
						-	

Lot 29D 7 Maande Dragtig van MS BBP 14-096 CRV 14-115 VBB 13-306						FCT 050041 SPN Mat. 99			
BBP 140228 SPN Mat. 117		FCT 100241 SPN Mat. 123				FCT 080102 SPN Mat. 130			
				 Elite-Gold FCT 030155 AFC 31 SPN Mat. 117 ICP 397 Age/Calv. 13/11 Avg. Wl/Calf 108/10				FCT 050164 SPN Mat. 152	
								FCT 000065 SPN Mat. 78	
BBP 080294 AFC * SPN Mat. 110 ICP 490 Age/Calv. */5 RI 88 Avg. Wl/Calf 100/4								FCT 970114 SPN Mat. 116	
								-	
								-	
								-	
								-	
								-	
								-	

Lot 29E 8 Maande Dragtig van MS BBP 14-096 CRV 14-115 VBB 13-306 DBP 07-101						CEG 030101 - SPN Mat. 118	
BBP 140371 - SPN Mat. 114		MBT 070144 - SPN Mat. 103 Silver				CEG 020222 - SPN Mat. 114	
						GTR 000030 - SPN Mat. 148	
						CEG 970169 - SPN Mat. 85	
BBP 140371 - SPN Mat. 114		CEG 030112 - AFC 29 SPN Mat. 130 ICP 457 Age/Calv. 7/5 Avg. Wl/Calf 102/6				AG J 0008 - SPN Mat. 89	
						GV 950097 - SPN Mat. 116	
						DNT 950113 - SPN Mat. 82	
JHL 050070 - AFC 36 SPN Mat. 114 ICP 433 Age/Calv. 10/7 RI 97 Avg. Wl/Calf 106/6		BHE 990131 - SPN Mat. 99				DNT 930077 - SPN Mat. 112	
						-	
						-	
						-	
						-	
						-	

Lot 30A 7 Maande Dragtig van MS BBP 14-096 CRV 14-115 VBB 13-306						BHE 010080 SPN Mat. 89	
BBP 140227 SPN Mat. 97		BPJ 090055 SPN Mat. 105				RCO 000308 SPN Mat. 106	
						AG 980338 SPN Mat. 87	
						BHE 950143 SPN Mat. 113	
BBP 080305 AFC * SPN Mat. 88 ICP 416 Age/Calv. */6 RI 104 Avg. Wl/Calf 90/5		BHE 050168 AFC 31 SPN Mat. 100 ICP 406 Age/Calv. 8/6 Avg. Wl/Calf 97/4				-	
						-	
						-	
						-	
						-	
						-	
						-	
						-	

Lot 30B 5 Maande Dragtig van MS BBP 14-215 BBP 14-275 BBP 14-314 LAR 12-322						BHE 010080 - SPN Mat. 89	
BBP 140296 - SPN Mat. 96		BHE 030094 - SPN Mat. 110				RCO 000308 - SPN Mat. 106	
						AG 980338 - SPN Mat. 87	
						BHE 950143 - SPN Mat. 113	
BBP 080017 - AFC * SPN Mat. 84 ICP 384 Age/Calv. */6 RI 112 Avg. Wl/Calf 95/4		BHE 050168 - AFC 31 SPN Mat. 100 ICP 406 Age/Calv. 8/6 Avg. Wl/Calf 97/4				-	
						-	
						-	
						-	
						-	
						-	
						-	
						-	
						-	



BONSMARA
SA

BONSMARA BEESTELERSGENOOTSAP VAN SA

Saamgestel deur die Suid-Afrikaanse Stamboek- en Veeverbeteringsvereniging
Stamboom- en Prestasiedata korrek gesertifiseer

Veilingsdatum: 15/09/2017
Data soos op 24/08/2017 14:51:07

VROULIKE DIERE

Lot	Verkoper	ID	OUERS	Toets	Teelwaarde indekse												LHV	GGV	SGV	Gebruiker Eie Opmerkings				
					VADER	LidCat	Geb Dir		Speen Dir		Geb Mat	Speen Mat	Volwas Gew	Naspeen		GDT					VOV	SO	Hgt	Lgt
							OV	DNS	Akk	Akk	Akk	Akk	Akk	Akk	Akk	Akk					Akk	Akk	Akk	Akk
		Gen	MOEDER	OV	Geb. dat.	Gew kg	Gew kg	Ind	kg	kg	kg	365d Ind	540d Ind	Ind	Ind	(mm)	(mm)	(mm)						

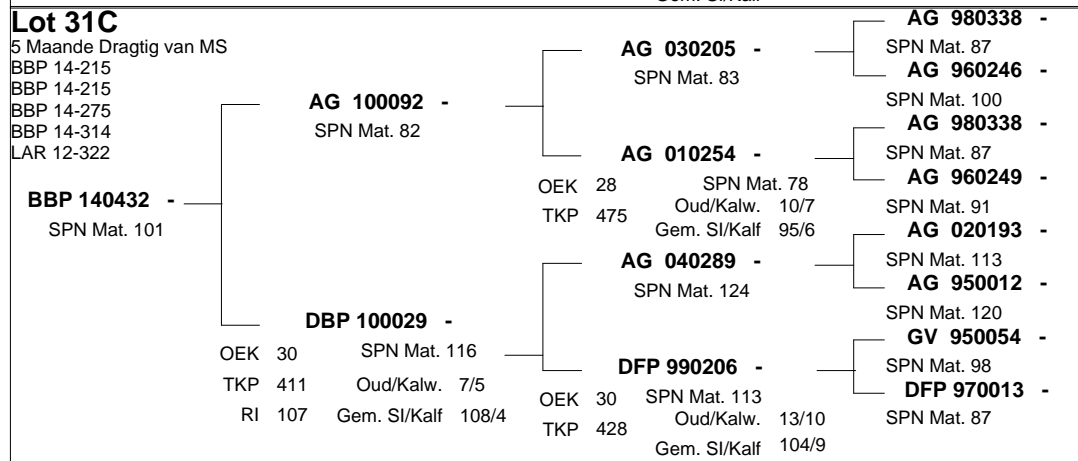
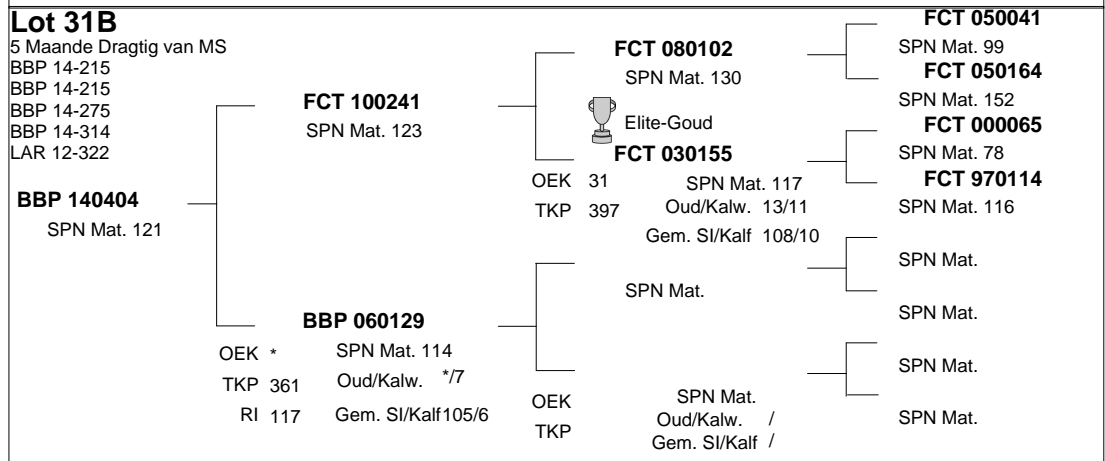
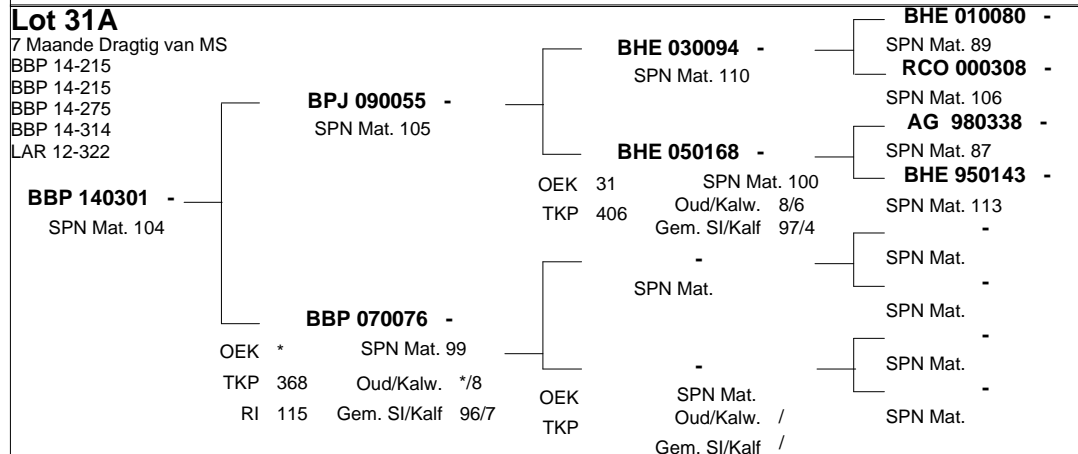
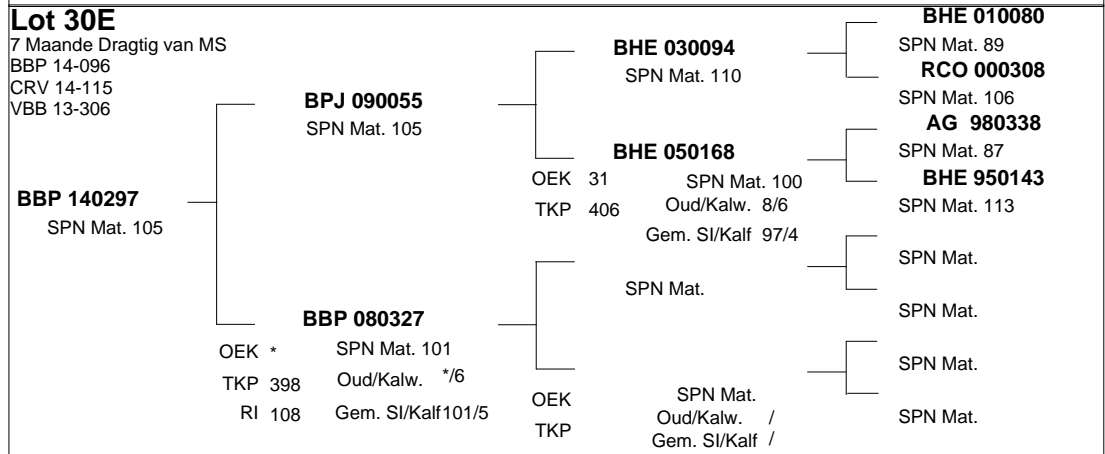
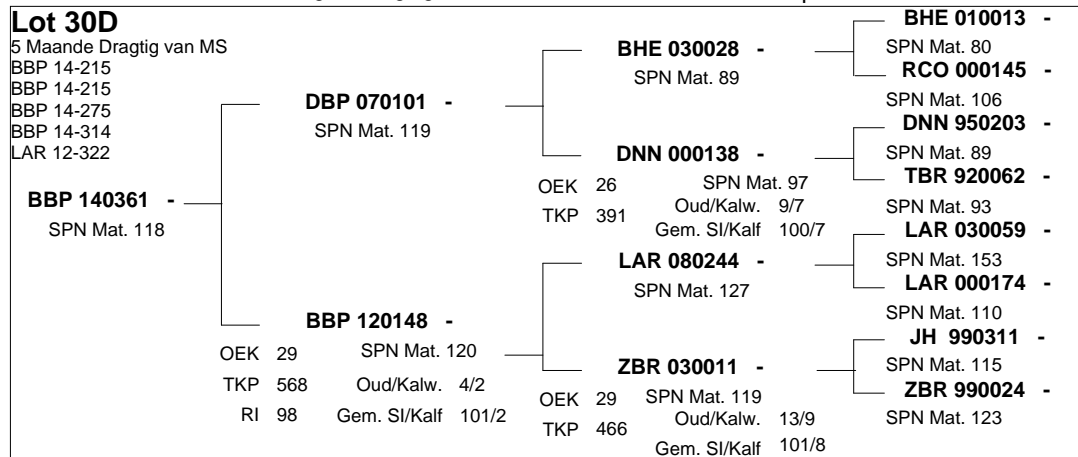
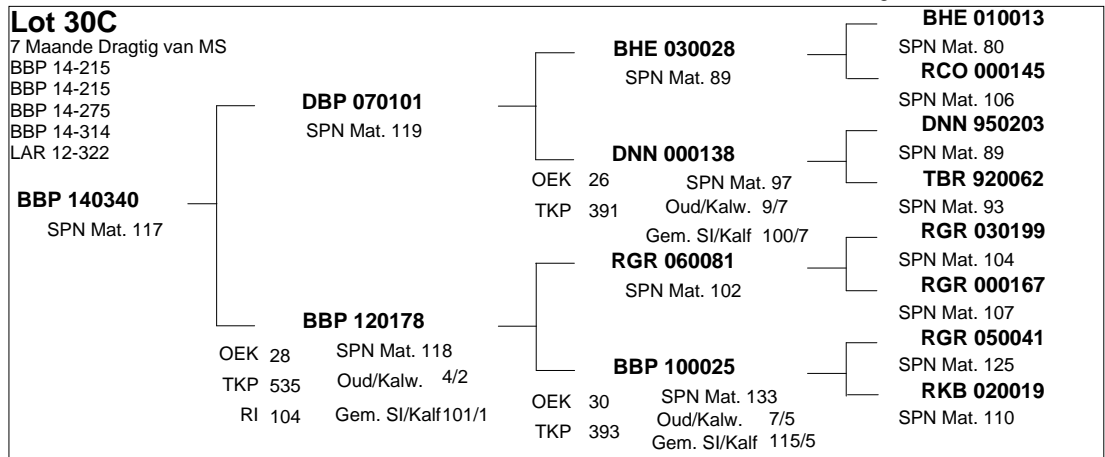
Dragtige Verse

30 C	SOUTPANSBERG BOERDERY TRUST	BBP 140340	DBP 070101	<input checked="" type="checkbox"/>	NS540	121	75	118	117	73	73	77	81	99	93	91	-		7 Maande Dragtig van MS ;BBP 14-215 ;BBP 14-215 ;BBP 14-275 ;BBP 14-314 ;LAR 12-322
		SP	BBP 120178	<input checked="" type="checkbox"/>	DNS	-1.15	1.3	-1.03	8.5	-20.0	0.9	-10	-7	8.2	-3	0	7.79		
					16.11.14	25	201	101			103	99					51.9		
30 D	SOUTPANSBERG BOERDERY TRUST	BBP 140361	DBP 070101	<input checked="" type="checkbox"/>	NS540	117	76	117	118	83	78	86	89	104	87	87	-		5 Maande Dragtig van MS ;BBP 14-215 ;BBP 14-215 ;BBP 14-275 ;BBP 14-314 ;LAR 12-322
		SP	BBP 120148	<input checked="" type="checkbox"/>	DNS	-0.75	1.8	-1.00	8.5	-9.0	5.1	30	-23	12.2	-8	-4	7.46		
					26.11.14	25	181	103			93	95					47		
30 E	SOUTPANSBERG BOERDERY TRUST	BBP 140297	BPJ 090055	<input checked="" type="checkbox"/>	NS540	106	85	95	105	96	88	90	95	97	110	108	-		7 Maande Dragtig van MS ;BBP 14-096 ;CRV 14-115 ;VBB 13-306
		B	BBP 080327	<input checked="" type="checkbox"/>	DNS	0.43	5.7	0.05	5.0	5.0	11.6	46	-35	6.5	10	24	6.94		
					15.10.14	34	196	95			101	96					38.3		
31 A	SOUTPANSBERG BOERDERY TRUST	BBP 140301	BPJ 090055	<input checked="" type="checkbox"/>	NS540	104	85	98	104	94	87	92	98	90	113	109	-		7 Maande Dragtig van MS ;BBP 14-215 ;BBP 14-215 ;BBP 14-275 ;BBP 14-314 ;LAR 12-322
		B	BBP 070076	<input checked="" type="checkbox"/>	DNS	0.61	5.7	-0.12	4.9	3.0	11.4	55	-42	1.1	13	25	8.14		
					25.10.14	36	195	93			105	91					38.9		
31 B	SOUTPANSBERG BOERDERY TRUST	BBP 140404	FCT 100241	<input checked="" type="checkbox"/>	NS540	86	99	84	121	95	97	93	97	113	102	104	-		5 Maande Dragtig van MS ;BBP 14-215 ;BBP 14-215 ;BBP 14-275 ;BBP 14-314 ;LAR 12-322
		B	BBP 060129	<input checked="" type="checkbox"/>	DNS	2.44	12.0	0.52	9.5	4.0	17.8	61	-41	19.1	4	18	6.43		
					06.12.14	37	198	93			98	92					33.6		
31 C	SOUTPANSBERG BOERDERY TRUST	BBP 140432	AG 100092	<input checked="" type="checkbox"/>	NS540	95	95	110	101	93	95	82	94	87	66	84	-		5 Maande Dragtig van MS ;BBP 14-215 ;BBP 14-215 ;BBP 14-275 ;BBP 14-314 ;LAR 12-322
		SP	DBP 100029	<input checked="" type="checkbox"/>	DNS	1.52	10.4	-0.65	3.8	1.0	16.4	10	-34	-1.4	-24	-9	7.33		
					30.12.14	33	205	99			97	91					42.3		

1.01	12.5	-0.20	3.7	10	20.1	91	-46	8.8	2	12
------	------	-------	-----	----	------	----	-----	-----	---	----

SAAMGESTEL DEUR DIE SUID-AFRIKAANSE STAMBOEK- EN VEEVERBETERINGSVERENIGING

Veilingsdatum: 15/09/2017
Data soos op 24/08/2017 14:51:07





BONSMARA
SA

BONSMARA CATTLE BREEDERS' SOCIETY OF SA

Compiled by the South African Stud Book and Livestock Improvement Association
Pedigree- and Performance data certified correct

Auction Date: 15/09/2017
Data as on 24/08/2017 14:51:08

FEMALE ANIMALS

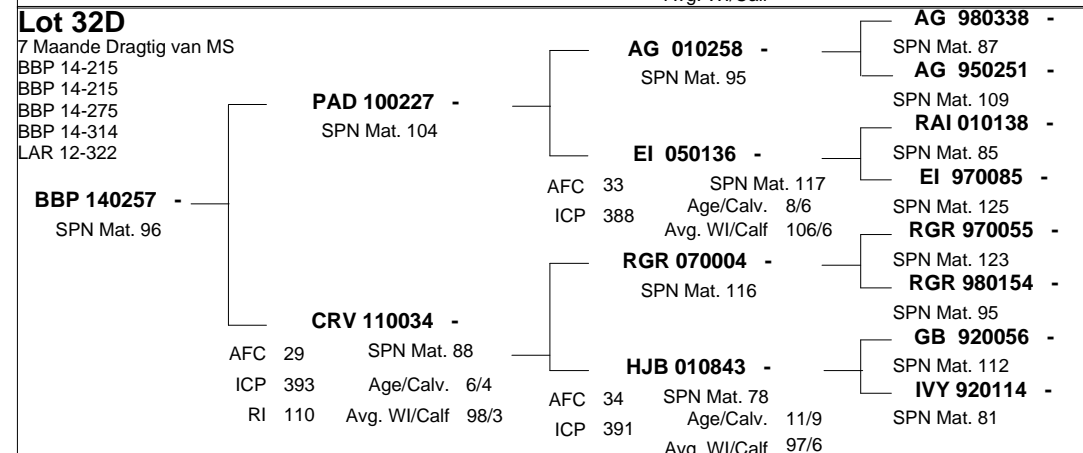
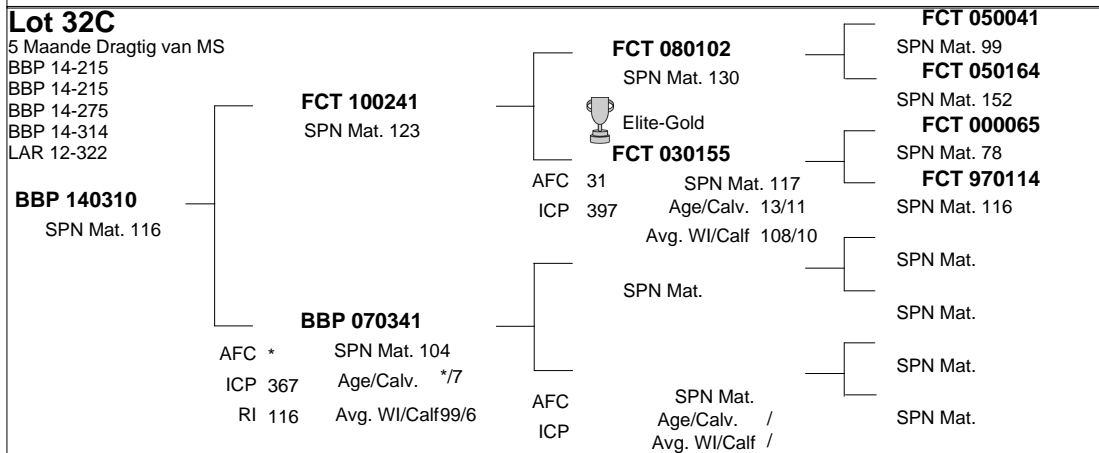
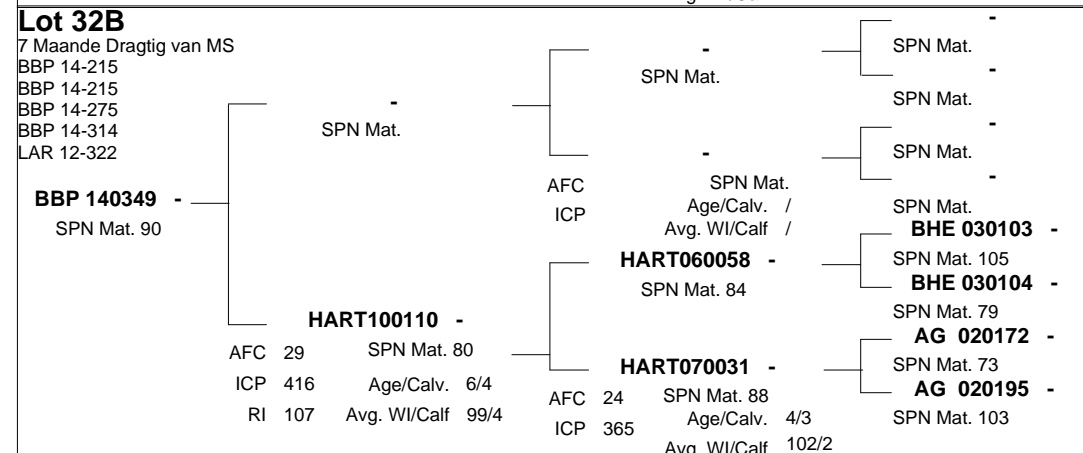
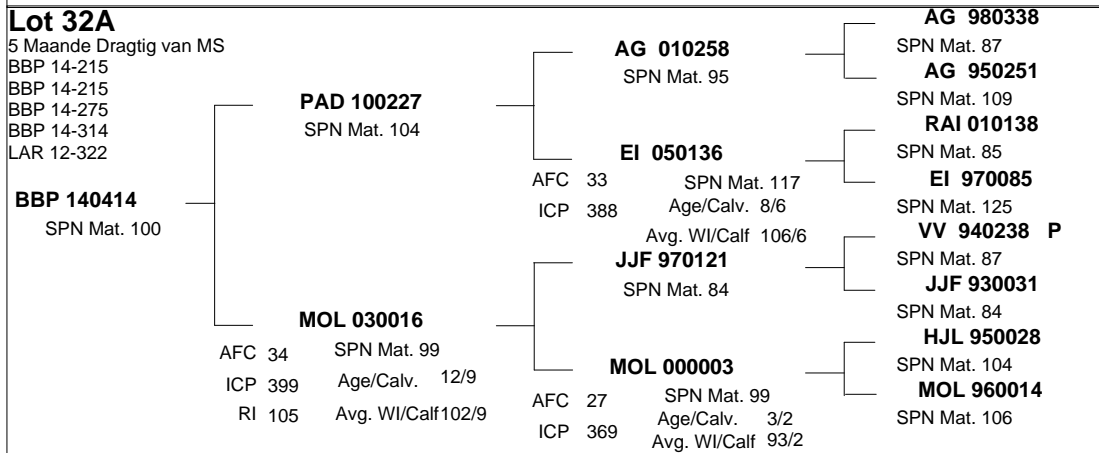
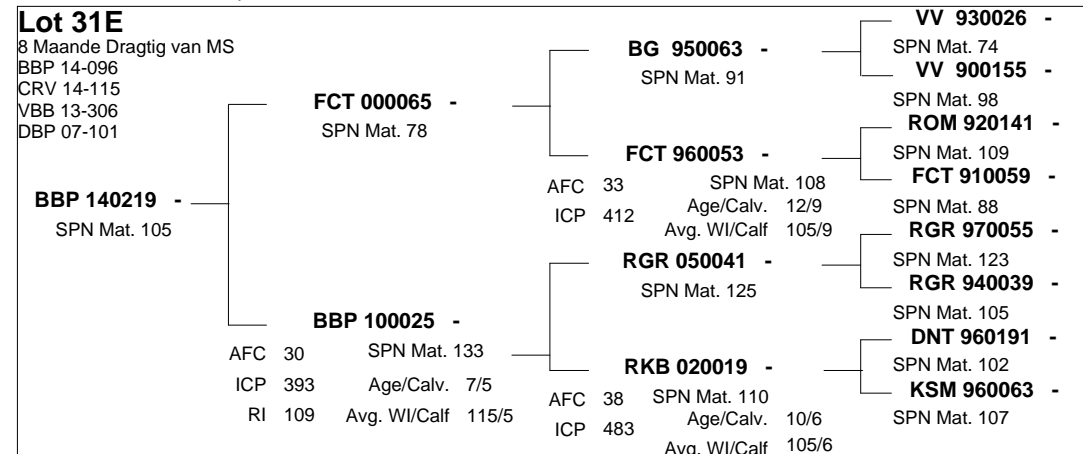
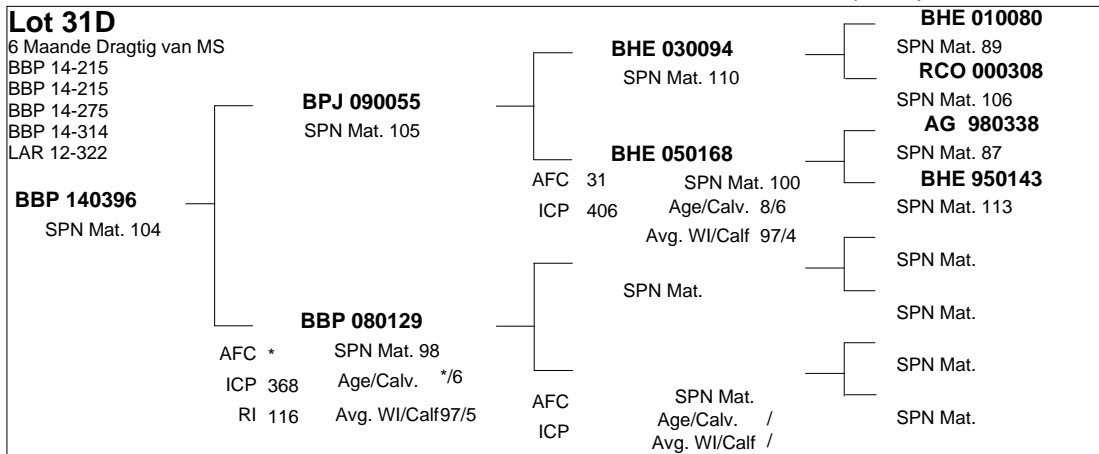
Lot	Seller	ID	PARENTS	Test	Breeding Value Indexes										EFF.	REP	MEASUREMENTS	R:	Breeder Own Remarks
					DIRECT CALF TRAITS		DAUGHTER TRAITS			GROWTH		Post Wean Weight	Daily Gain	Feed Conv					
			SIRE	LidCat	Birth Dir	Wean Dir	Birth Mat	Wean Mat	Mat Wgt	Post Wean	ADG				FCR	SC	Hgt	Lgt	LHR
		Gen	DAM	DNA	Acc	Acc	Acc	Acc	Acc	Acc	Acc	Acc	Acc	Acc	Acc	BWR			
				Birth Date	Wgt kg	Wgt kg	Ind	kg	kg	kg	365d Ind	540d Ind	Ind	Ind	(mm)	(mm)	(mm)		
Pregnant Heifers																			
31 D	SOUTPANSBERG BOERDERY TRUST	BBP 140396	BPJ 090055 <input checked="" type="checkbox"/>	PW540	96	86	85	104	93	87	81	88	91	99	98	-			6 Maande Dragtig van MS ;BBP 14-215 ;BBP 14-215 ;BBP 14-275 ;BBP 14-314 ;LAR 12-322
		B	BBP 080129	DNA	1.41	6.2	0.47	4.8	2.0	11.1	5	-22	1.2	1	10	7.16			
				20.11.14	36	193	91			98	99					39			
31 E	SOUTPANSBERG BOERDERY TRUST	BBP 140219	FCT 000065 <input checked="" type="checkbox"/>	PW540	108	91	110	105	85	92	96	92	101	105	106	-			8 Maande Dragtig van MS ;BBP 14-096 ;CRV 14-115 ;VBB 13-306 ;DBP 07-101
		SP	BBP 100025	DNA	0.14	8.5	-0.67	5.0	-8.0	14.8	75	-30	9.8	6	21	7.23			
				24.09.14	31	238	104			99	108					52.7			
32 A	SOUTPANSBERG BOERDERY TRUST	BBP 140414	PAD 100227 <input checked="" type="checkbox"/>	PW540	119	80	109	100	82	82	82	93	83	86	90	-			5 Maande Dragtig van MS ;BBP 14-215 ;BBP 14-215 ;BBP 14-275 ;BBP 14-314 ;LAR 12-322
		SP	MOL 030016	DNA	-0.97	3.4	-0.63	3.6	-10.0	7.7	12	-33	-4.7	-8	-1	5.64			
				18.12.14	26	139	100			56	47	25	50	50	49	-			
32 B	SOUTPANSBERG BOERDERY TRUST	BBP 140349		PW540	106	90	109	90	84	89	84	92	97	84	89	-			7 Maande Dragtig van MS ;BBP 14-215 ;BBP 14-215 ;BBP 14-275 ;BBP 14-314 ;LAR 12-322
		A	HART100110		0.34	8.1	-0.61	1.0	-8.0	12.7	21	-30	6.7	-10	-2	6.76			
				21.11.14	30	182	101			100	98					38.2			
32 C	SOUTPANSBERG BOERDERY TRUST	BBP 140310	FCT 100241 <input checked="" type="checkbox"/>	PW540	84	102	92	116	99	100	91	96	111	98	104	-			5 Maande Dragtig van MS ;BBP 14-215 ;BBP 14-215 ;BBP 14-275 ;BBP 14-314 ;LAR 12-322
		B	BBP 070341 <input checked="" type="checkbox"/>	DNA	2.70	13.5	0.19	8.2	8.0	19.8	52	-39	17.3	0	17	7.82			
				05.11.14	39	207	99			46	42	18	46	47	45	37.3			
32 D	SOUTPANSBERG BOERDERY TRUST	BBP 140257	PAD 100227 <input checked="" type="checkbox"/>	PW540	107	92	110	96	86	89	81	88	83	86	89	-			7 Maande Dragtig van MS ;BBP 14-215 ;BBP 14-215 ;BBP 14-275 ;BBP 14-314 ;LAR 12-322
		SP	CRV 110034	DNA	0.32	8.9	-0.63	2.5	-6.0	12.3	5	-22	-4.9	-9	-2	6.86			
				17.10.14	28	203	94			64	49	27	53	53	52	46.1			

Breed Average

1.01	12.5	-0.20	3.7	10	20.1	91	-46	8.8	2	12
------	------	-------	-----	----	------	----	-----	-----	---	----

08/2017: SA Stud Book

Version 1.075 - Generated by logix



VROULIKE DIERE

Lot	Verkoper	ID	OUERS	Toets	Teelwaarde indekse												LHV	GGV	SGV	Gebruiker Eie Opmerkings
					DIREKTE KALF EIENSKAPPE		DOGTER EIENSKAPPE			GROEI		DOEL	REP	MATES		V:				
		VADER		LidCat	Geb Dir	Speen Dir	Geb Mat	Speen Mat	Volw Gew	Naspeen	GDT	VOV	SO	Hgt	Lgt					
		MOEDER		DNS	Akk	Akk	Akk	Akk	Akk	Akk	Akk	Akk	Akk	Akk	Akk	Akk	Akk	Akk		
		Gen	OV		Geb. dat.	Gew kg	Gew kg	Ind	kg	kg	kg	365d Ind	540d Ind	Ind	Ind	(mm)	(mm)	(mm)		

Dragtige Verse

32 E	SOUTPANSBERG BOERDERY TRUST	BBP 140105	JMP 100295	NS365	106	93	105	88	100	85	83	95	95	83	88	-		8 Maande Dragtig van MS ;BBP 14-096 ;CRV 14-115 ;VBB 13-306 ;DBP 07-101
		SP	BBP 110127	12.09.14	0.34 78	9.2 70	-0.41 47	0.4 48	9.0 32	9.3 54	14 48	-35 38	4.8 51	-11 51	-4 50	6.45		
					30	209	90			95	-					41.8		
33 A	SOUTPANSBERG BOERDERY TRUST	BBP 140398	BPJ 090055	NS540	91	99	87	103	96	100	93	97	97	105	106	-		5 Maande Dragtig van MS ;BBP 14-096 ;CRV 14-115 ;VBB 13-306 ;DBP 07-101
		B	BBP 070510	DNS	1.93 74	11.9 69	0.41 44	4.5 49	5.0 25	20.3 59	58 45	-40 25	6.2 48	6 49	20 48	8.32		
				30.11.14	38	217	104			104	109					43.9		
33 B	SOUTPANSBERG BOERDERY TRUST	BBP 140409	BBP 110169	NS540	93	102	94	101	99	101	100	106	105	89	97	-		8 Maande Dragtig van MS ;BBP 14-096 ;CRV 14-115 ;VBB 13-306 ;DBP 07-101
		B	BBP 070435	DNS	1.79 55	13.4 67	0.06 47	3.9 50	8.0 27	21.2 57	91 41	-58 22	13.1 45	-7 46	9 44	-		
				18.12.14	-	224	110			110	102					38.8		
33 C	SOUTPANSBERG BOERDERY TRUST	BBP 140279	DBP 100115	NS540	98	103	103	90	100	97	92	101	96	79	92	-		5 Maande Dragtig van MS ;BBP 14-215 ;BBP 14-215 ;BBP 14-275 ;BBP 14-314 ;LAR 12-322
		SP	BBP 120006	DNS	1.27 74	14.1 67	-0.36 44	1.0 45	9.0 31	18.1 48	54 38	-49 24	5.6 41	-14 42	2 41	7.8		
				27.10.14	34	220	94			-	94					44.4		

BONSMARA BEESTELERSGENOOTSKAP VAN SA

Saamgestel deur die Suid-Afrikaanse Stamboek- en Veeverbeteringsvereniging

Veilingsdatum: 15/09/2017

Data soos op 24/08/2017 14:51:08

